

# Carlson CP-90 Commercial Class Paver



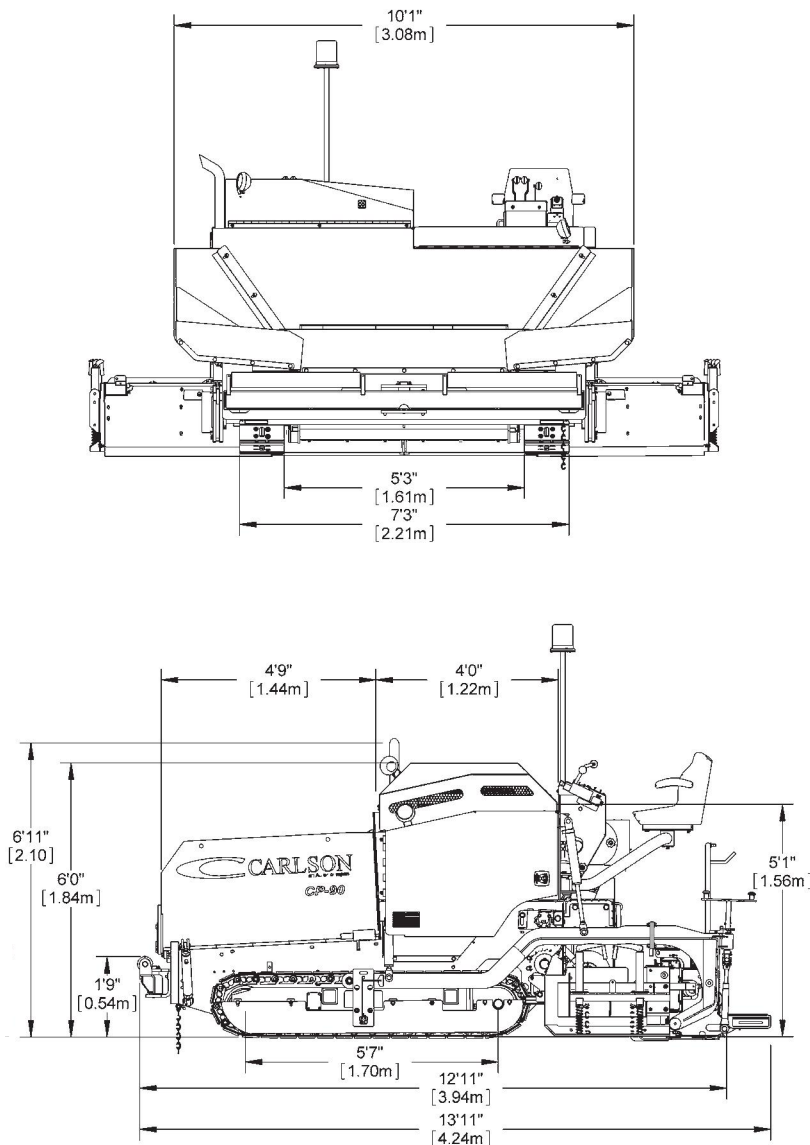
## Small Paver – Big Results

### Answering the industries call for a quality Commercial Class Paver

Adding the Easy Screed to a heavy duty and completely rebuildable Carlson tractor is a winning combination for the commercial class paving industry. Able to pave driveways or city streets, the CP-90 is the answer to longer lifecycle ownership and superior performance. Backed by Carlson's commitment to the industry, the CP-90 is the Small Paver that produces Big Results.

With the heaviest components in the commercial class market, the Carlson CP-90 brings owners longer lifecycle in the material handling system. Easy access for adjustments and remote greasing stations make maintenance quick and simple. With a one piece construction that includes the track frames, the platform of the CP-90 will outlast and outperform any paver in its weight class. Add the full access engine and hydraulic compartments for the best layout in the industry. Fully supported poly pad track system protected with rock guards increases lifecycle and reliability of the undercarriage. Large capacity hydraulic system and fuel tank keep the temperature down and the production up. With an open minded approach and industry-leading distribution and support the CP-90 brings a new standard to the commercial class paving market.

# Small Paver – Big Results



**For more information contact:**  
**Carlson Paving Sales / Parts Department**  
**(253) 875-8000**



## TECHNICAL INFORMATION

### SPECIFICATIONS

Tractor Width (hopper sides up)	8' 6" (2.59 m)
Tractor Width (hopper sides down)	10' 1" (3.08 m)
Gage Width (center to center of tracks)	76" (1930 mm)
Wheelbase	68" (1727 mm)
Loading Ramp Angle	Forward 20°, Backward 15°
Length	13' 11" (4.24 m)
Length (shipping)	12' 11" (3.94 m)
Paver Weight	15,900 (7,212 kg)
Screed Weight	2,600 (1,180 kg)
Hopper Inside Width Opening	120" (3.04 m)
Hopper Dump Clearance	27" (.68 m)
Hopper Capacity	7 1/2 Tons (6.8 t)
Conveyor Floor Plate Thickness	3/8" (9.5 mm) Hardox
Auger Flight Thickness	3/4" (19.0 mm)
Auger Speed Max.	100 rpm
Engine	Cat 3.4 Tier III with 84hp@2500
Fuel Tank	35 gal (132.5 L)
Cooling System Capacity	11 qts. (10 L)
Hydraulic Reservoir Capacity	47 gal. (178 L)
Electrical System	12 volt, negative ground with 95 amp alternator

### TRACTION DRIVE

Hydrostatic Direct with 2-Speed Motors.

Speed Selection is infinitely variable in each of the speed ranges:

Paving Range Lo Motor	0 – 160 fpm (48.76 m/min)
Travel Range High Motor	0 – 2.5 mph (4.02 km/hr)
Reverse	Full reverse in any of the two speed ranges
Standard Paving Width	8' (2.43 m)
Paving Width (Min./Max.)	4' – 15' (1.21 m – 4.57 m)
Paving Depth Compacted (Min./Max.)	1/4" – 8" (6 mm – 203 mm)

