

Dynapac CA1400D

Single drum vibratory rollers

Atlas Copco



Technical data



Masses

Operating mass (incl. ROPS)	14,350 lbs
Module mass (front/rear)	7,500/6,850 lbs
Max. operating mass	15,900 lbs



Propulsion

Speed range	0-6.2 mph
Tire size (16 ply)	400/60-22.5 flotation
Theor. gradeability	50 %
Vertical oscillation	±9°



Compaction

Static linear load	114 lbs/in
Nominal amplitude (high/low)	0.067/0.032 in
Vibration frequency (high/low amplitude)	1,920/1,920 vpm
Centrifugal force (high/low amplitude)	25,600/12,400 lbf



Engine

Manufacturer/Model	Kubota V 3307 CR-TE4 (Stage IIIB/T4)
Type	Water cooled turbo diesel
Rated power, SAE J1995	75 hp @ 2,200 rpm
Fuel tank capacity	31 gal



Hydraulic system

Driving	Hydrostatic with a traction pump supplying two parallel connected motors, one on rear axle and one on drum.
Vibration	Hydrostatic with a vibration pump supplying a motor connected to the eccentric axle generating the vibrations.
Steering	Mechanical-hydraulic with steering valve supplying the steering cylinder. Steering angle is proportional to steering wheel.
Service brake	Hydrostatic in forward and reverse lever.
Parking/ Emergency brake	Failsafe multidisc brake in rear axle and front drum motor.

Find us locally at www.atlascopco.com

We reserve the right to change specifications without notice. Photos and illustrations do not always show standard versions of machines. The above information is a general description only, all informations are supplied without liability.

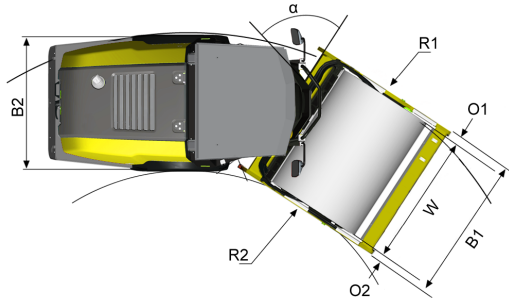
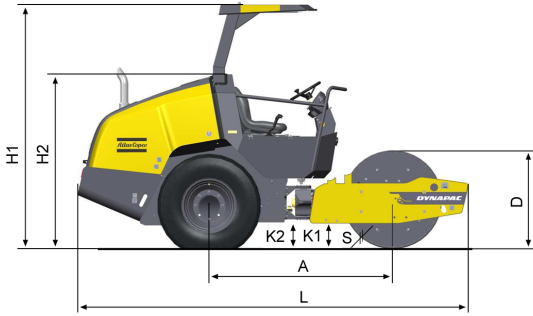
dynapac_ca1400d_us-20160229.141729.pdf 2016-02-29 14:17

Dynapac CA1400D

Single drum vibratory rollers

Atlas Copco

Technical data



Dimensions

A. Wheelbase	87 in
B1. Width, front	73 in
B2. Width, rear	60 in
D. Drum diameter	48 in
H1. Height, with ROPS	106 in
K1. Ground clearance	14 in
K2. Curb clearance	14 in
L. Length	177 in
O1. Overhang, right	3 3/4 in
O2. Overhang, left	3 3/4 in
R1. Turning radius, outside	180 in
R2. Turning radius, inside	114 in
S. Drum shell thickness	0.87 in
W. Drum width	66 in
α. Steering angle	±33°



Standard equipment

Back up alarm, Battery switch (std), Brake release, Cup and can holder, Differential lock (limited slip), Drive control (right side), Drum drive, ECO mode, Emergency stop, Engine 55 kW (StagelIIIB/Tier4final), Engine hood (lockable), Fuel level display, High mounted exhaust pipe, Horn, Hour meter display, Hydraulic checkpoints, Hydraulic fluid filter ("spin-on"), Hydraulic fluid (mineral), Interlock, Key (starter), Lifting points, Lifting points for jack, Manuals (Operation & Maintenance), Manuals (Spare parts catalogue), Operator's platform (rubber mouted), Operator's station (fixed), Parking brake, ROPS (fixed), Seat (adjustable), Seat belt 3", Storage box (on platform), Storage for laminated manuals, Tie down points, Vandal cover (instrument panel), Warning lights (brake, engine oil pressure, engine oil temperature, engine diagnostics, low charge, low fuel level)

Find us locally at www.atlascopco.com

We reserve the right to change specifications without notice. Photos and illustrations do not always show standard versions of machines. The above information is a general description only, all informations are supplied without liability.

dynapac_ca1400d_us-20160229.141729.pdf 2016-02-29 14:17