

# CA3500PD

## Single drum vibratory rollers

# DYNAPAC

Part of the Atlas Copco Group



### Technical data



#### Masses

Operating mass (incl. ROPS)	26,200 lbs
Operating mass (incl. Cab)	26,500 lbs
Module mass (front/rear)	16,800/9,700 lbs
Max. operating mass	27,300 lbs



#### Propulsion

Speed range	3-7 (mph)
Vertical oscillation	±9°
Tire size (8 ply)	23,1 x 26 TR
Theor. gradeability	57 %



#### Compaction

Nominal amplitude (high/low)	0.071/0.039 in
Vibration frequency (high/low amplitude)	1,800/1,800 vpm
Centrifugal force (high/low amplitude)	58,450/33,720 lb



#### Hydraulic system

Driving	Hydrostatic
Vibration	Hydrostatic
Steering	Hydrostatic
Service brake	Hydrostatic in forward and reverse lever.
Parking/ Emergency brake	Failsafe multidisc brake in drum gear box and in rear axle.



#### Engine

Fuel tank capacity	72 gal
--------------------	--------



#### Engine

Manufacturer/Model	Cummins QSB4.5 (T4i)
Type	Water cooled turbo diesel
Rated power, ISO 14396	119 kW (160 hp ) @ 2,200 rpm



#### Key features

Engine	Cross-mounted, for superior access
Visibility	1m x 1m, front to rear
Operator	Low noise level Easy to use operator panel
Service	Hydraulic checkpoints Zero spill oil & coolant change

#### Dynapac USA

3700 East 68th Avenue, Commerce City, CO 80022 Phone: 800-732-6762 Fax: 303-288-8828

Find your local dealer at [www.dynapac.us](http://www.dynapac.us)

We reserve the right to change specifications without notice. Photos and illustrations do not always show standard versions of machines. The above information is a general description only, all informations are supplied without liability.

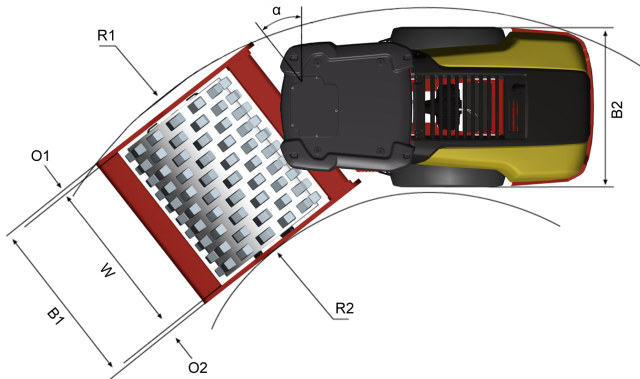
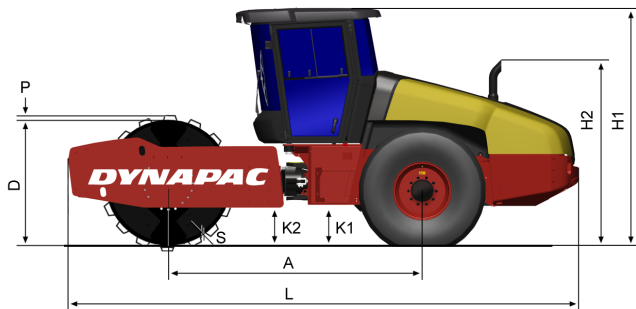
# CA3500PD

Single drum vibratory rollers

# DYNAPAC

Part of the Atlas Copco Group

## Technical data



### Dimensions

A. Wheelbase	122 in
B1. Width, front	92 in
B2. Width, rear	84 in
D. Drum diameter	59 in
H1. Height, with ROPS/cab	117 in
H2. Height, w/o ROPS/cab	84 in
K1. Ground clearance	18 in
K2. Curb clearance	18 in
L. Length	236 in
O1. Overhang, right	4 in
O2. Overhang, left	4 in
R1. Turning radius, outside	18 ft
R2. Turning radius, inside	11 ft
S. Drum shell thickness	0.98 in
W. Drum width	84 in
$\alpha$ . Steering angle	$\pm 38^\circ$



### Standard equipment

- 24V outlet socket, operator's platform
- Automatic vibration control
- Back up alarm
- Brake release
- Cross Mounted Engine
- Combi cooler with Hydraulically driven fan
- Display: Engine temp, Fuel level, Hydr. temp, Speedometer, Tachometer, Voltage
- Dual speed drum and axle motors
- Emergency stop
- Filler cap inside lockable hood
- Hydraulic checkpoints
- Parking brake
- Shock mounted platform
- Steering wheel, adjustable
- Suspension seat
- Storage Compartment
- Traction Control Package w/tilt indicator and speed limiter
- Vandal cover
- Warning lights: Air cleaner, Brake, Clogged hyd. fluid filter, Engine oil pressure/temp, Hyd oil temp, Low charge, Low fuel
- 1m X 1m Visibility
- Zero spill oil & coolant change

### Dynapac USA

3700 East 68th Avenue, Commerce City, CO 80022 Phone: 800-732-6762 Fax: 303-288-8828

Find your local dealer at [www.dynapac.us](http://www.dynapac.us)

We reserve the right to change specifications without notice. Photos and illustrations do not always show standard versions of machines. The above information is a general description only, all informations are supplied without liability.

# CA3500PD

Single drum vibratory rollers

# DYNAPAC

Part of the Atlas Copco Group

## Technical data



### Service-and repair kits

Type of kit	P/N	Serial Number/Additional info
50h service kit	4812156993 (incl oil)	
500h service kit	4812158369 -3A engine	
1000h service kit	4812158283 -3A engine	
2000h service kit	4812158583 -3A engine	
500h service kit	4812158281	Including oil, 3A engine
1000h service kit	4812158282	Including oil, 3A engine
2000h service kit	4812158582	Including oil, 3A engine
500h service kit	4812158688	3B engine
1000h service kit	4812158690	3B engine
2000h service kit	4812158693	3B engine
500h service kit	4812158687	Including oil. 3B engine
1000h service kit	4812158689	Including oil. 3B engine
2000h service kit	4812158692	Including oil. 3B engine
Shock absorber kit	4812158579	
Eccentric shaft kit	4700945657	
Drum rotation kit	4812157275	
Steering hitch kit	4812157779	Tilt
Steering hitch kit	4812157780	Turn



### Recommended fluids

Used in	Fluid Type	Volume	Additional info
Drum oil	<a href="#">Dynapac Drum Oil 1000</a>	2 x 2,3 liter	Change oil after first 50 hours, then every 2000 hours
Transmission oil	<a href="#">Dynapac Gear Oil 300</a>	2,5 liter	Drum gear, change oil after first 50 hours, then every 1000 hours
Transmission oil	<a href="#">Dynapac Gear Oil 300</a>	16,9 liter	No-spin rear axle, change oil every 1000 hours
Transmission oil	<a href="#">Dynapac Gear Oil 300</a>	19,9 liter	Limited slip rear axle, change oil after first 500 hours, then every 1000 hours
Engine	Atlas Copco Engine 100	11 liter	Change oil every 500 hours or once per year
Hydraulic system	Atlas Copco Hydraulic 300	41 liter	Change oil every 2000 hours or yearly.

#### Dynapac USA

3700 East 68th Avenue, Commerce City, CO 80022 Phone: 800-732-6762 Fax: 303-288-8828  
Find your local dealer at [www.dynapac.us](http://www.dynapac.us)

We reserve the right to change specifications without notice. Photos and illustrations do not always show standard versions of machines.  
The above information is a general description only, all informations are supplied without liability.