



## TECHNICAL DATA

### MASSES

Max. operating mass	7,500 lbs
Operating mass (incl. ROPS)	5,700 lbs
Module mass (front/rear)	2,700 lbs/3,000 lbs

### COMPACTION

Centrifugal force	34/29 kN
Nominal amplitude	0.020 in
Static linear load (front/rear)	10.3/11.4 kg/cm
Vibration frequency	66/61 Hz
Water tank	54 gal

### PROPULSION

Speed range	0-10 km/h
Vertical oscillation	±10°
Max. theoretical gradeability	42 %

### ENGINE

Manufacturer/Model	Kubota D1703-M (IIIA)
Type	Water cooled diesel engine
Rated power, SAE J1995	26 kW (35 hp ) @ 2,800 rpm
Fuel tank capacity	12 gal

### ENGINE

Manufacturer/Model	Kubota D1703-DI (T4/V)
Type	Water cooled diesel engine
Rated power, SAE J1995	18.5 kW (25 hp ) @ 2,200 rpm

### ENGINE

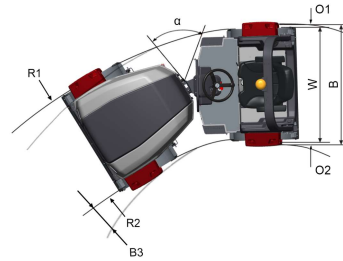
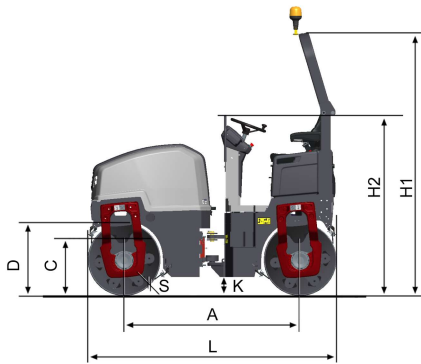
Manufacturer/Model	Kubota D1803-CR (T4/V)
Type	Water cooled diesel engine
Rated power, SAE J1995	28 kW (37.5 hp ) @ 2,700 rpm

### HYDRAULIC SYSTEM

Driving	Axial piston pump with variable displacement and servo. 2 radial piston motors with constant displacement.
Vibration	Gear pump/motors with constant displacement.
Steering	Gear pump with constant displacement.
Service brake	Hydrostatic in forward and reverse lever.
Parking/ Emergency brake	Failsafe multidisc brake in both drums.

Find us locally at [www.dynapac.com](http://www.dynapac.com)

We reserve the right to change specifications without notice. Photos and illustrations do not always show standard versions of machines. The above information is a general description only, all information's are supplied without liability.



## TECHNICAL DATA

### DIMENSIONS

A. Wheelbase	67.0 in
B. Width	52.8 in
B3. Width, offset	1.968 in
C. Curb clearance	21.8 in
D. Drum diameter	27.6 in
H1. Height, with ROPS/cab	100.0 in
H2. Height, w/o ROPS/cab	68.7 in
K. Ground clearance	7.1 in
L. Length	94.5 in
O1. Overhang, right	2.8 in
O2. Overhang, left	2.8 in
R1. Turning radius, outside	148.4 in
R2. Turning radius, inside	101.2 in
S. Drum shell thickness	0.5 in
W. Working width	47.2 in
$\alpha$ . Steering angle	$\pm 30^\circ$

Find us locally at [www.dynapac.com](http://www.dynapac.com)

We reserve the right to change specifications without notice. Photos and illustrations do not always show standard versions of machines. The above information is a general description only, all information's are supplied without liability.