

Dynapac CC1300

Double drum vibratory rollers

Atlas Copco



Technical data



Masses

Max. operating mass	8,900 lbs
Operating mass (incl. ROPS)	8,600 lbs
Module mass (front/rear)	4,200/4,400 lbs



Propulsion

Speed range	0-6 mph
Vertical oscillation	±10°
Theor. gradeability	37 %



Compaction

Centrifugal force	7,400/
Nominal amplitude	0.020 in
Static linear load (front/rear)	82/86 lbs/in
Vibration frequency	3,120/
Water tank	53 gal



Engine

Manufacturer/Model	Kubota V2203-M (T4i)
Type	Water cooled
Rated power, SAE J1995	44 hp @ 2,600 rpm
Fuel tank capacity	13 gal



Hydraulic system

Driving	Axial piston pump with variable displacement. Radial piston motors (2) with constant displacement.
Vibration	Gear pump/motors with constant displacement.
Steering	Gear pump with constant displacement.
Service brake	Hydrostatic in forward and reverse lever.
Parking/Emergency brake	Failsafe multidisc brake in both drums.

Find us locally at www.atlascopco.com

We reserve the right to change specifications without notice. Photos and illustrations do not always show standard versions of machines. The above information is a general description only, all informations are supplied without liability.

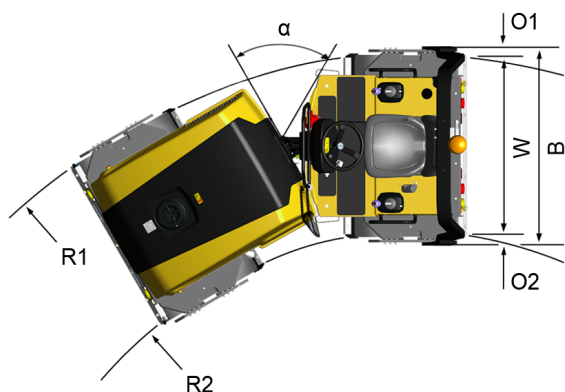
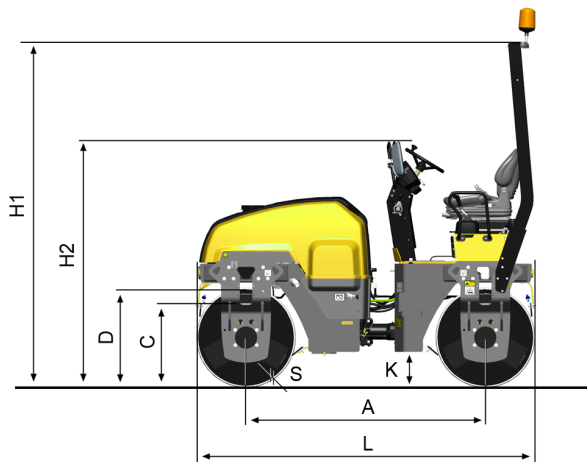
rce_cc1300_us-20141027.132750.pdf 2014-10-27 13:27

Dynapac CC1300

Double drum vibratory rollers

Atlas Copco

Technical data



Dimensions	
A. Wheelbase	76 in
B. Width	57 in
C. Curb clearance	24 in
D. Drum diameter	32 in
H1. Height, with ROPS/cab	108 in
H2. Height, w/o ROPS/cab	73 in
K. Ground clearance	10 in
L. Length	94 in
O1. Overhang, right	2 in
O2. Overhang, left	2 in
R1. Turning radius, outside	167 in
R2. Turning radius, inside	116 in
S. Drum shell thickness	0.6 in
W. Drum width	51 in
α . Steering angle	$\pm 30^\circ$



Standard equipment

Backup alarm, Foldable ROPS incl. 3" seatbelt, Working lights



Optional equipment

Biodegradable hydraulic fluid, Fire extinguisher, Foot rest, Hearing protectors, Licence plate light, Rear view mirror (traffic view), Service kit 50/500/1000H, Side direction lights (driving lights required), Slow moving vehicle sign, Special color (one or two), Tool set, Towing eyelet, Water tank cover (lockable)

Find us locally at www.atlascopco.com

We reserve the right to change specifications without notice. Photos and illustrations do not always show standard versions of machines. The above information is a general description only, all informations are supplied without liability.

rce_cc1300_us-20141027.132750.pdf 2014-10-27 13:27