

Dynapac CC4200 VI

Double drum vibratory rollers



Technical data



Masses

Max. operating mass	29,000 lbs
Operating mass (incl. ROPS)	22,000 lbs
Module mass (front/rear)	11,000 lbs/11,000 lbs



Propulsion

Speed range	0-7.5 mph
Vertical oscillation	±7°
Theor. gradeability	40 %



Compaction

Centrifugal force (high/low amplitude)	28,780 lb/18,880 lb
Nominal amplitude (high/low)	0.031 in/0.012 in
Static linear load (front/rear)	167 pli/167 pli
Vibration frequency (high/low amplitude)	3,060 vpm/4,020 vpm
Water tank	180 gal/(233 gal w. opt. watert.)
Water tank (front drum steering)	195 gal



Engine

Manufacturer/Model	Cummins QSF3.8 IV/T4f
Type	Water cooled turbo Diesel with After Cooler
Rated power, SAE J1995	97 kW (130 hp) @ 2,200 rpm
Fuel tank capacity	48 gal
DEF tank capacity	4 gal



Hydraulic system

Driving	Axial piston pump with variable displacement. Radial piston motors (2) with variable displacement.
Vibration	Axial piston pumps (2) with variable displacement. Axial piston motors (2) with constant displacement.
Steering	Gear pump with constant displacement.
Service brake	Hydrostatic in forward and reverse lever.
Parking/Emergency brake	Failsafe multidisc brake in both drums.

Find us locally at www.dynapac.us

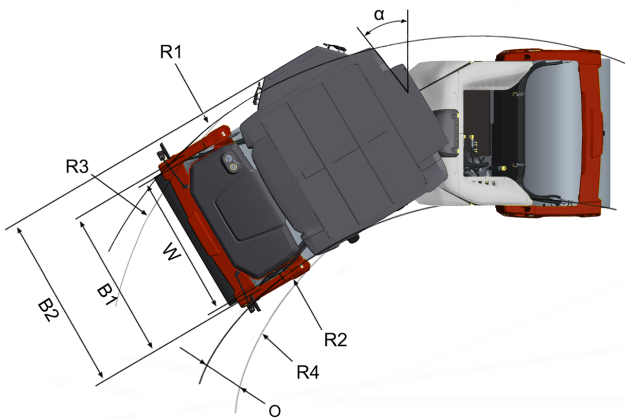
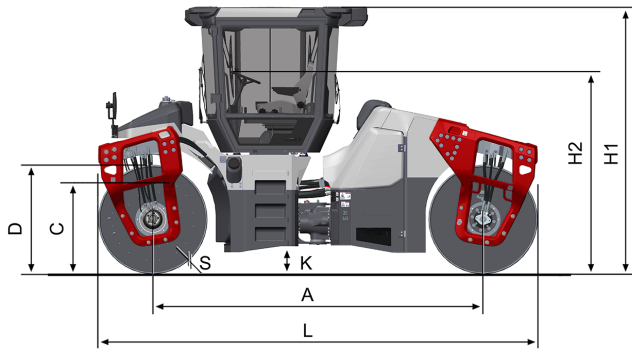
We reserve the right to change specifications without notice. Photos and illustrations do not always show standard versions of machines. The above information is a general description only, all informations are supplied without liability.

Dynapac CC4200 VI

Double drum vibratory rollers



Technical data



Dimensions	
A. Wheelbase	148 in
B1. Width, front	75 in
B2. Width, with cab	84 in
C. Curb clearance	32 in
D. Drum diameter	51 in
H. Height, with ROPS/cab	118 in
K. Ground clearance	12 in
L. Length	199 in
O. Off-set	20.5 in
R1. Turning radius, outside	286 in
R2. Turning radius, inside	220 in
R3. Turning radius with off-set, outside	215 in
R4. Turning radius with off-set, inside	149 in
S. Drum shell thickness	0.79 in
W. Drum width	66 in
α. Steering angle	±32°

Find us locally at www.dynapac.us

We reserve the right to change specifications without notice. Photos and illustrations do not always show standard versions of machines. The above information is a general description only, all informations are supplied without liability.