

GB

KOMATSU®

XA233

Forestry Quality™

XA
233

BAR SAW FELLING HEAD



Photo may include optional equipment.

TECHNICAL DATA

Standard Equipment

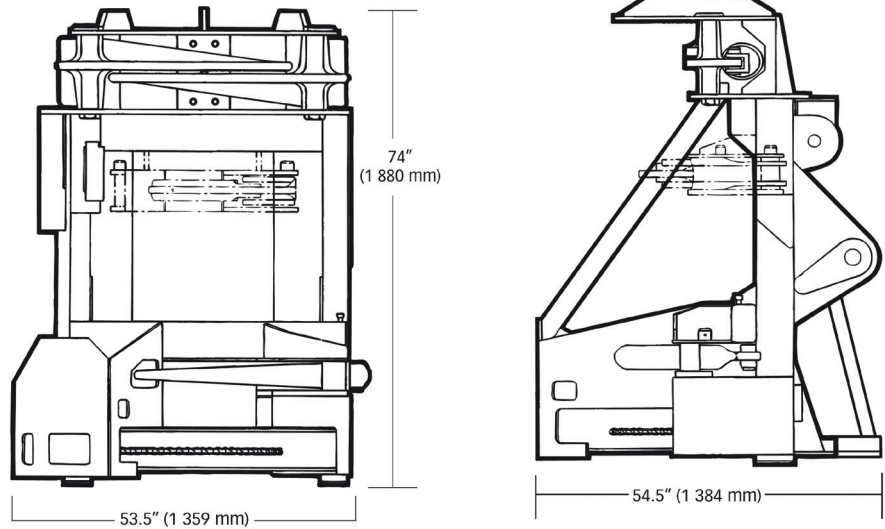
- Automatic chain oiler
- Rollernos design saw bar
- Spring supported saw bar for less potential damage
- Automatic saw bar feed and chain drive motor control with one valve
- Saw bar cylinder with Torrington bushings to allow for up and down movement of bar
- Excellent visibility
- Commercial saw motor
- Cast steel clamp arms
- Cushioned clamp arm cylinders
- Constructed of high strength, low alloy durable steel
- Delimiting top clamp arms
- Easy servicing and maintenance

Featuring

- High production, fast cycling
- Lightweight, compact design
- Low initial and operating cost
- Adapts to any go-to-tree carrier
- Big tree directional felling capabilities

Optional Equipment

- Accumulator
- 30° lateral tilt (15° left, 15° right)
- Hydraulic diverter valve to operate either the accumulator or lateral tilt using oil flow from the top clamp arms



Specifications

Bar Saw

Fixed mount & accum arms	3950 lbs (1792 kg)
30° lateral tilt, no accum arms	4125 lbs (1871 kg)
30° lateral tilt and accum arms	4460 lbs (2023 kg)
Cutting Capacity	28" (711 mm)
Cycle Time	2 - 7 sec.
Saw bar length	43" (1092 mm)
Chain 11 BC	3/4" (19 mm)
Sprocket	9-tooth solid construction

Hydraulics

Hydraulic requirements

Hydraulic requirements	35 - 60 gpm (132 - 227 lpm)
System pressure	2500 - 3650 (17 225 - 25 149 kpa)
Top clamp cylinder	(1) 3.5" (89 mm) Stroke 14" (356 mm)
Bottom clamp cylinder	(1) 3.5" (89 mm) Stroke 14" (356 mm)
Saw bar cylinder	(1) 2" (50.8 mm) Stroke 10" (254 mm)
Lateral tilt cylinder (optional)	(2) 3.5" (89 mm) Stroke 14" (356 mm)
Accumulator cylinder (opt)	(1) 3" (76 mm) Stroke 10.75" (273 mm)



NOTE: Komatsu America reserves the right to change specifications without notice or obligation. Products illustrated may be equipped with non-standard equipment. Other manufacturer's equipment or attachments shown are used for illustration purposes only. Komatsu America does not warrant the safety, reliability or operation of other manufacturer's equipment or attachments.