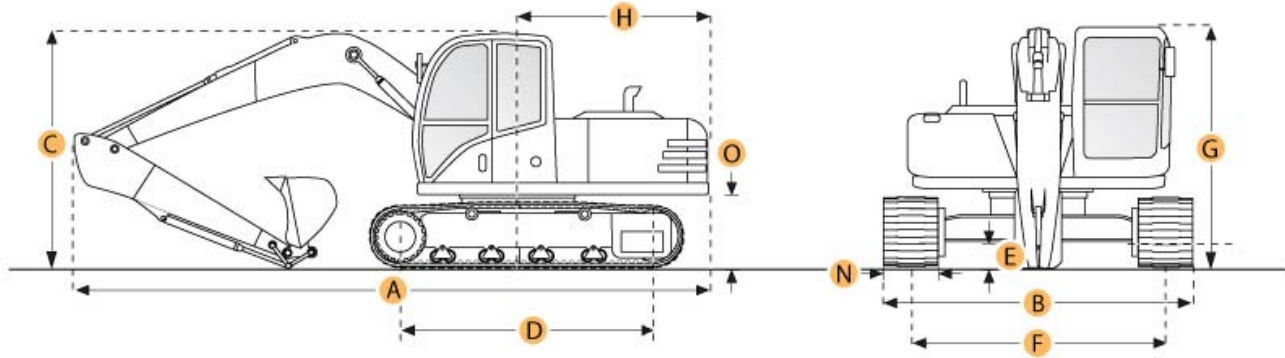


KOBELCO 135SR LC HYDRAULIC EXCAVATOR

VIEW ARTICLES ON THIS ITEM

Print specification



Selected Dimensions

Boom/Stick Option (HEX) 1

A. SHIPPING LENGTH OF UNIT	24.5 ft in	7470 mm
C. SHIPPING HEIGHT OF UNIT	9 ft in	2740 mm
I. MAX CUTTING HEIGHT	29.1 ft in	8860 mm
J. MAX LOADING HEIGHT	21.1 ft in	6440 mm
K. MAX REACH ALONG GROUND	28.4 ft in	8650 mm
L. MAX VERTICAL WALL DIGGING DEPTH	17.2 ft in	5250 mm
M. MAX DIGGING DEPTH	19.7 ft in	6010 mm

Dimensions

B. WIDTH TO OUTSIDE OF TRACKS	8.5 ft in	2590 mm
D. LENGTH OF TRACK ON GROUND	10 ft in	3040 mm
E. GROUND CLEARANCE	1.5 ft in	460 mm
G. HEIGHT TO TOP OF CAB	9 ft in	2740 mm
H. TAIL SWING RADIUS	4.7 ft in	1430 mm
O. COUNTERWEIGHT CLEARANCE	3 ft in	910 mm

Undercarriage

F. TRACK GAUGE	6.5 ft in	1990 mm
N. SHOE SIZE	23.6 in	600 mm

Specification

Engine

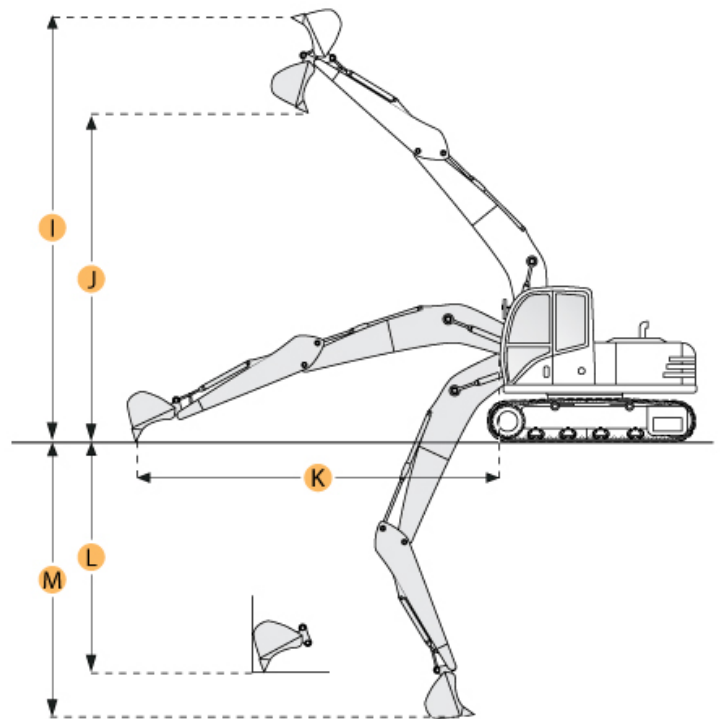
MAKE	Isuzu	
MODEL	A-4BG1T	
NET POWER	94 hp	70.1 kw
POWER MEASURED @	2200 rpm	
DISPLACEMENT	264 cu in	4.3 L

Operational

OPERATING WEIGHT	30870 lb	14002.4 kg
FUEL CAPACITY	44.4 gal	168.1 L
COOLING SYSTEM FLUID CAPACITY	4.8 gal	18.2 L
HYDRAULIC SYSTEM FLUID CAPACITY	37 gal	140 L
ENGINE OIL CAPACITY	3.4 gal	12.9 L
HYDRAULIC SYSTEM RELIEF VALVE PRESSURE	4980 psi	34335.9 kPa
HYDRAULIC PUMP FLOW CAPACITY	67.9 gal/min	257 L/min

Swing Mechanism

SWING SPEED	11.7 rpm	
SWING TORQUE	28027.4 lb ft	38000 Nm



Undercarriage

SHOE SIZE	23.6 in	600 mm
GROUND PRESSURE	5.1 psi	35.2 kPa
MAX TRAVEL SPEED	3.7 mph	6 km/h
DRAWBAR PULL	28500 lb	126.8 kN
TRACK GAUGE	6.5 ft in	1990 mm

Buckets

REFERENCE BUCKET CAPACITY	0.5 yd3	0.38 m3
MINIMUM BUCKET CAPACITY	0.3 yd3	0.23 m3
MAXIMUM BUCKET CAPACITY	0.88 yd3	0.67 m3

Boom/Stick Option (HEX) 1

BOOM/STICK OPTION (HEX) 1	stick 9'8" 2950mm	
SHIPPING HEIGHT OF UNIT	9 ft in	2740 mm
SHIPPING LENGTH OF UNIT	24.5 ft in	7470 mm
MAX DIGGING DEPTH	19.7 ft in	6010 mm
MAX REACH ALONG GROUND	28.4 ft in	8650 mm
MAX CUTTING HEIGHT	29.1 ft in	8860 mm
MAX LOADING HEIGHT	21.1 ft in	6440 mm
MAX VERTICAL WALL DIGGING DEPTH	17.2 ft in	5250 mm

Dimensions

WIDTH TO OUTSIDE OF TRACKS	8.5 ft in	2590 mm
HEIGHT TO TOP OF CAB	9 ft in	2740 mm
GROUND CLEARANCE	1.5 ft in	460 mm
COUNTERWEIGHT CLEARANCE	3 ft in	910 mm
TAIL SWING RADIUS	4.7 ft in	1430 mm
LENGTH OF TRACK ON GROUND	10 ft in	3040 mm