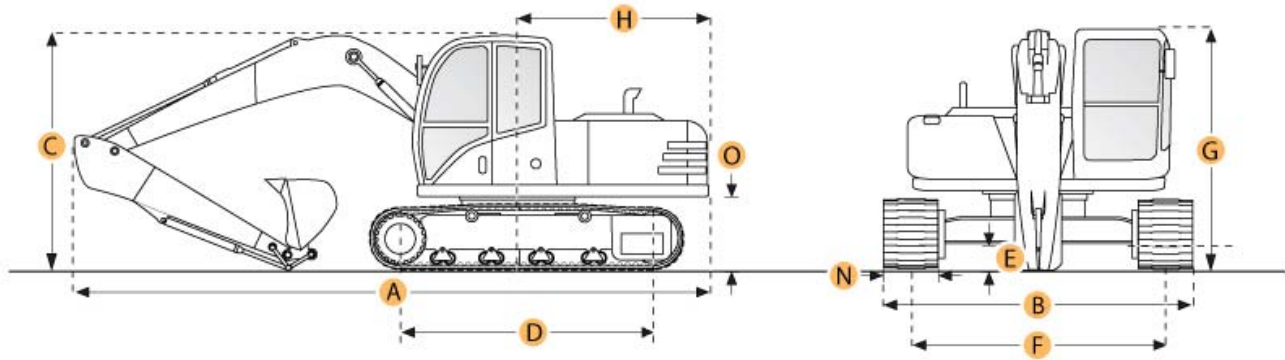


KOBELCO SK330LC HYDRAULIC EXCAVATOR

[VIEW ARTICLES ON THIS ITEM](#)

Print specification



Selected Dimensions

Boom/Stick Option (HEX) 1

A. SHIPPING LENGTH OF UNIT	36.7 ft in	11200 mm
C. SHIPPING HEIGHT OF UNIT	11.2 ft in	3400 mm
I. MAX CUTTING HEIGHT	35.4 ft in	10780 mm
J. MAX LOADING HEIGHT	24.9 ft in	7580 mm
K. MAX REACH ALONG GROUND	36.1 ft in	10990 mm
L. MAX VERTICAL WALL DIGGING DEPTH	20.6 ft in	6280 mm
M. MAX DIGGING DEPTH	23.6 ft in	7200 mm

Dimensions

B. WIDTH TO OUTSIDE OF TRACKS	11.2 ft in	3400 mm
D. LENGTH OF TRACK ON GROUND	13.3 ft in	4050 mm
E. GROUND CLEARANCE	2.5 ft in	760 mm
G. HEIGHT TO TOP OF CAB	10.3 ft in	3124.2 mm
H. TAIL SWING RADIUS	11.5 ft in	3500 mm
O. COUNTERWEIGHT CLEARANCE	4.9 ft in	1480 mm

Undercarriage

F. TRACK GAUGE	9.7 ft in	2960 mm
N. SHOE SIZE	31.5 in	800 mm

Specification

Engine

MAKE	Mitsubishi	
MODEL	6D16-TLEB	
GROSS POWER	247 hp	184.2 kw
NET POWER	238 hp	177.5 kw
POWER MEASURED @	2200 rpm	
DISPLACEMENT	460 cu in	7.5 L
ASPIRATION	turbocharged	

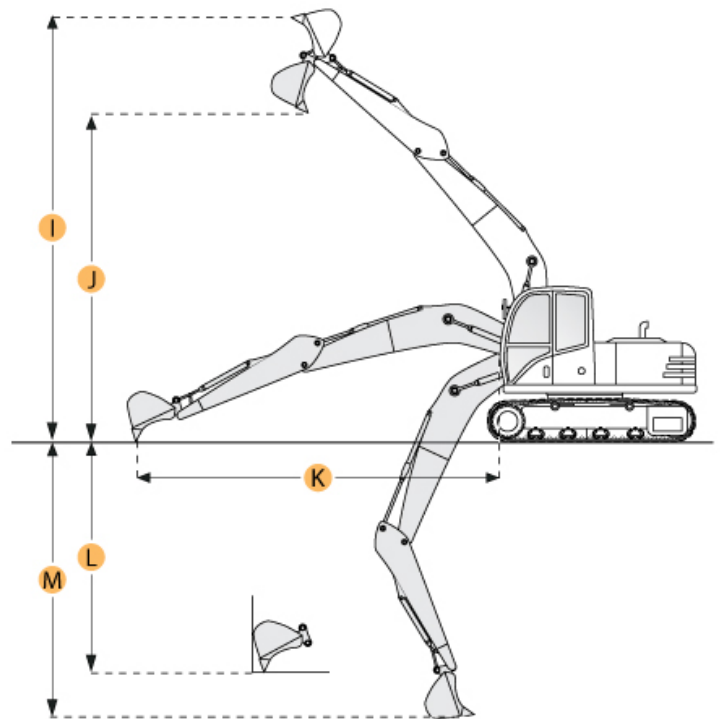
Operational

OPERATING WEIGHT	80300 lb	36423.5 kg
FUEL CAPACITY	76.6 gal	290 L
HYDRAULIC SYSTEM FLUID CAPACITY	92.7 gal	351 L
HYDRAULIC SYSTEM RELIEF VALVE PRESSURE	3990 psi	27510.1 kPa
HYDRAULIC PUMP FLOW CAPACITY	139.7 gal/min	529 L/min

Swing Mechanism

SWING SPEED	9.1 rpm
-------------	---------

Undercarriage



SHOE SIZE	31.5 in	800 mm
GROUND PRESSURE	5470 psi	37714.3 kPa
MAX TRAVEL SPEED	3.6 mph	5.8 km/h
DRAWBAR PULL	63800 lb	283.8 kN
TRACK GAUGE	9.7 ft in	2960 mm

Buckets

REFERENCE BUCKET CAPACITY	1.8 yd3	1.4 m3
MINIMUM BUCKET CAPACITY	0.88 yd3	0.67 m3
MAXIMUM BUCKET CAPACITY	2.4 yd3	1.8 m3

Boom/Stick Option (HEX) 1

BOOM/STICK OPTION (HEX) 1	Stick w/ arm 10'10" (3300mm)	
SHIPPING HEIGHT OF UNIT	11.2 ft in	3400 mm
SHIPPING LENGTH OF UNIT	36.7 ft in	11200 mm
MAX DIGGING DEPTH	23.6 ft in	7200 mm
MAX REACH ALONG GROUND	36.1 ft in	10990 mm
MAX CUTTING HEIGHT	35.4 ft in	10780 mm
MAX LOADING HEIGHT	24.9 ft in	7580 mm
MAX VERTICAL WALL DIGGING DEPTH	20.6 ft in	6280 mm

Dimensions

WIDTH TO OUTSIDE OF TRACKS	11.2 ft in	3400 mm
HEIGHT TO TOP OF CAB	10.3 ft in	3124.2 mm
GROUND CLEARANCE	2.5 ft in	760 mm
COUNTERWEIGHT CLEARANCE	4.9 ft in	1480 mm
TAIL SWING RADIUS	11.5 ft in	3500 mm
LENGTH OF TRACK ON GROUND	13.3 ft in	4050 mm