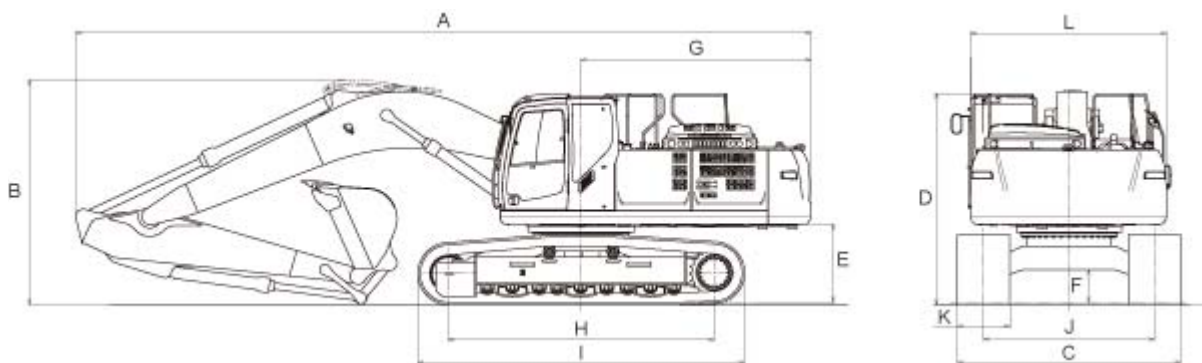


[Back to INDEX](#)

SK350LC (SK350LC-9)

DIMENSIONS



Unit: ft-in{mm}

	Short	Standard	Long		
Arm length	8'6" {2.6 m}	10'10" {3.30 m}	13'7" {4.15 m}	G Tail swing radius	11'6"{3,500}
A Overall length	37'1" {11,300}	36'9" {11,200}	36'9" {11,200}	G' Distance from center of swing to rear end	11'6"{3,500}
B Overall height (to top of boom)	11'11" {3,640}	11'3" {3,420}	11'9" {3,590}	H Tumbler distance	13'3"{4,050}
C Overall width		11'1"{3,390}		I Overall length of crawler	16'3"{4,960}
D Overall height (to top of cab)		10'6"{3,210}		J Track gauge	8'6"{2,590}
E Ground clearance of rear end*		3'11"{1,190}		K Shoe width	23.6"{600} / 27.6"{700} / 31.5"{800} / 35.4"{900}
F Ground clearance*		19.7"{500}		L Overall width of upperstructure	9'9"{2,980}

* Without including height of shoe lug.

MAIN SPECIFICATIONS

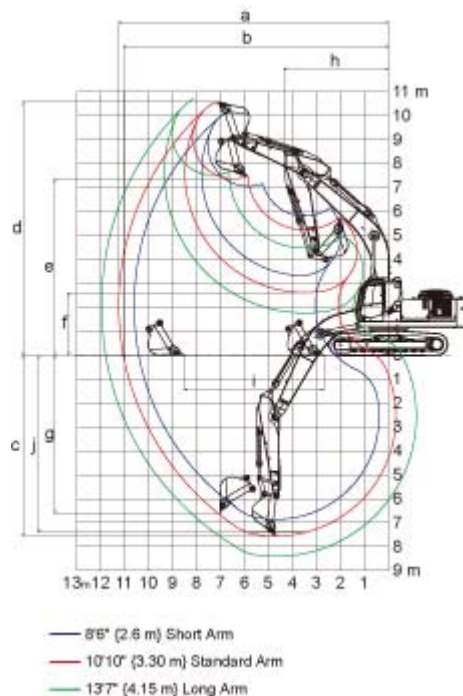
Model Name	SK350LC				
Machine Type	SK350LC-9				
Operating Weight			lbs {kg}	80,900 {36,700}	
Bucket	Bucket capacity SAE heaped		cu.yd.{m ³ }	1.57 {1.2}	1.83 {1.40} 2.09 {1.60}

	Bucket capacity SAE Struck	cu.yd.{m³}	1.10 {0.84}	1.31 {1.00}	1.57 {1.20}
	Opening width With side cutter		49 {1,240}	56 {1,420}	62 {1,570}
		inches {mm}			
	Opening width Without side cutter		44 {1,110}	55 {1,390}	57 {1,450}
		inches {mm}			
	Bucket weight		2,050 {930}	2,380 {1,080}	2,510 {1,140}
		lbs {kg}			
Engine	Model	HINO J08E-UV			
	Type	Direct injection, water-cooled, 4-cycle diesel engine with turbocharger, intercooler (Complies with EU (NRMM) Stage IIIB, EPA Tier IV, and act on regulation, etc. of emission from non- road special motor vehicles (Japan))			
	Rated power output	286hp {213 kW} / 2,100 rpm {min ⁻¹ } (ISO 14396) 270hp {201 kW} / 2,100 rpm {min ⁻¹ } (ISO 9249)			
	Fuel tank	153.2 U.S.gal {580 L}			
Swing System	Swing speed	10.0 rpm {min ⁻¹ }			
Travel System	Travel motors	2 x axial-piston, two-step motors			
	Travel shoes	48 each side			
	Travel speed	3.5 / 2.0 mph {5.6 / 3.3 km/h}			
	Drawbar pulling force	72,200 lbs {321 kN} (SAE J 1309)			
	Gradeability	70 % {35°}			
Hydraulic System	Pump Type	Two variable displacement pumps + 1 gear pump			
	Max. discharge flow	2 x 77.7 U.S.gph {2 x 294 L/min} , 1 x 5.3 U.S.gph {1 x 20 L/min}			
Hydraulic oil tank		64.7 U.S.gal {245 L} tank oil level 109.1 U.S.gal {413 L} hydraulic system			

WORKING RANGES

Unit: ft-in{m}

Boom length	21'4" {6.50m}		
Range/Arm	Short 8'6" {2.6m}	Standard 10'10" {3.30m}	Long 13'7" {4.15m}
a Max. digging reach	34'10"{10.61}	36'11"{11.26}	39'3"{11.97}
b Max. digging reach at ground level	34'1"{10.40}	36'3"{11.06}	38'8"{11.79}
c Max. digging depth	22'6"{6.86}	24'10"{7.56}	27'7"{8.41}
d Max. digging height	33'8"{10.26}	34'9"{10.58}	35'1"{10.70}
e Max. dumping clearance	23'2"{7.06}	24'2"{7.37}	24'8"{7.53}
f Min. dumping clearance	10'11"{3.32}	8'7"{2.62}	5'10"{1.77}
g Max. vertical wall digging depth	19'2"{5.84}	21'8"{6.61}	23'5"{7.15}



h	Min. swing radius	14'7"{4.45}	14'4"{4.37}	14'6"{4.43}
i	Horizontal digging stroke at ground level	21'11"{6.67}	19'1"{5.82}	27'2"{8.27}
j	Digging depth for 8 feet flat bottom	13'10"{4.21}	24'3"{7.40}	28'8"{7.21}
	Bucket capacity SAE heaped cu.yd.{m³}	2.09 {1.60}	1.83 {1.40}	1.57 {1.20}

Digging Force

Unit: lbs {kN}

		Short 8'6" {2.6m}	Standard 10'10" {3.30m}	Long 13'7" {4.15m}
Arm length		44,700 {199}	44,700 {199}	44,500 {198}
	SAE	49,200 {219}* 49,700 {221}	49,200 {219}* 49,900 {222}	49,000 {218}* 49,700 {221}
Bucket digging force		54,900 {244}	54,900 {244}* 54,900 {244}	54,600 {243}* 54,600 {243}
	ISO	44,500 {198}	37,100 {160}	30,800 {137}
Arm crowding force		49,000 {218}* 46,100 {205}	39,600 {176}* 37,100 {165}	33,700 {150}* 31,500 {140}
	ISO	50,600 {225}* 50,600 {225}	40,700 {181}* 40,700 {181}	34,600 {154}* 34,600 {154}

*Power Boost engaged.

This page may contain attachments and optional equipment that are not available in your area. And it may contain photographs of machines with specifications that differ from those of machines sold in your areas. Please consult your nearest Kobelco distributor for those items you require. Due to our policy of continuous product improvements all designs and specifications are subject to change without advance notice.

[↑ Back to top](#)



[Contact Us](#)



[Personal Information Protection Policy](#)



[Use of Website](#)

