

RPA ROTOBEC POWER ATTACHMENTS

ROTOBEC
TOUGH HANDLING EQUIPMENT



DO EVERYTHING AND DO IT BETTER OUT-LIFT, OUT-PERFORM, OUT-LAST.

The Rotobec Power Attachments (RPA) are up for anything. Logs, stones, cars, earth, and everything in between, the RPA does not discriminate when it comes to the materials it handles. Our line of Power Attachments are available with 6 different jaw configurations (Rake, Bucket, Pulpwood, Trash, Demolition, Compaction). Each configuration is available with either a dangle rotation or one of Rotobec's incredible RGP positioned rotations featuring bolt-on lugging and valve-on-swivel technology. The diversity of the RPA is simply unmatched by any other type of grapple available. Backed by Rotobec's industry leading, 18 month/ 3,000 hour warranty and our world class service, the RPA is quite simply the world's greatest power attachment.



OUT-LIFT

All of our Rotobec Power Attachments come equipped with Rotobec's own built-in-house **5,000 PSI CYLINDERS**. Our cylinders are the largest in the industry guaranteeing a longer than average life. They are also protected by robust 3/8" steel **CYLINDER GUARDING**.

OUT-PERFORM

The RPA jaws feature a **BOX STYLE STRUCTURE** which provides the maximum level of strength and durability. To enhance durability further, we have incorporated an **INTERLOCKING DESIGN** on the head structure and the cylinder guards.

OUT-LAST

MECHANICAL STOPS have been engineered into the grapple design to protect the cylinder from over/under extension. Our RGP positioned rotations feature a **FULLY SUPPORTED PINION GEAR** to prevent pinion bending, which will cause significant damage to your gears. The RPA also features **OVERSIZED, CHROMED AND HARDENED PINS**, which will drastically extend the life of your grapple.

THE KING OF ROTATORS

WE'RE CALLED ROTO-BEC FOR A REASON

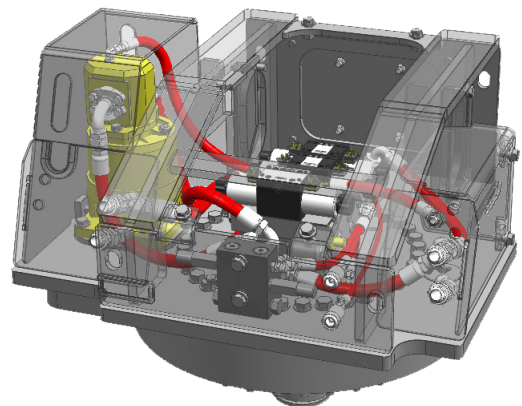
BOLT-ON LUGGING

Rotobec is famous for many things but we got our start building the world's most advanced continuous 360° rotators. Our RGP positioned rotators come standard with bolt-on lugging. This technology makes the installation process a breeze and allows for the attachment to be transferred easily between machines increasing the versatility of your operation.



VALVE-ON-SWIVEL

Positioned rotators can become troublesome because of the number of channels required to simultaneously operate all of the grapple's hydraulics. One way to achieve this is to add additional hydraulic components to your machine, but we have a far more effective, and far less expensive alternative. Our RGP rotators offer an integrated valve-on-swivel (VOS), which allows operators to have complete control over all movements of their grapple, without the need for adding additional hydraulics, even when a Grapple Saw has been added.



MULTITASKING

GIVING NEW MEANING TO THE WORD ONE LOG AT A TIME

THE ROTOBEC GRAPPLE SAW

Rotobec has partnered with Hultdins to offer our customers in the logging industry with an unbeatable one-two punch. Rotobec Grapple Saws are available with a .404 and a .750 pitch and can be fitted to both the Rake and Bucket configurations. Remove the human element and increase your operation's efficiency immediately with this log chopping beast.

TECHNICAL DATA	ROTOBEC GRAPPLE SAW	
MODEL	RGS-404	RGS-750
Saw motor displacement	19 cc	40 cc
Weight	443 lbs	670 lbs
Recommended hydraulic pressure	3,500 psi	3,150 psi
Recommended flow	42 gpm	55 gpm
Saw bar standard	39"	40"
Saw bar optional	N/A	45"
Saw chain	404-18H	3/4"-11H

AVAILABLE CONFIGURATIONS

IF YOU'VE GOT A JOB TO DO, WE'VE GOT THE GRAPPLE

RAKE

The Rake configuration is used primarily by the forestry industry. The curvature of the jaw makes this an ideal tool for handling logs in hoe chucking and chipper feeding applications.



BUCKET

Our Bucket configuration is used in a variety of different applications. In addition to handling loads of fine material, the teeth on the jaw provide an excellent grip on trees, stone and other large objects.



TRASH

The Trash RPA is used exclusively in trash handling applications. The extra wide jaw enables operators to grab large loads while the holes allow small debris to fall through.



TOUGH HANDLING EQUIPMENT

PULP

The Pulpwood RPA is an alternative to our standard Pulpwood Grapples. It features a specialized jaw shape that allows it to handle large bunches in loading and unloading applications.



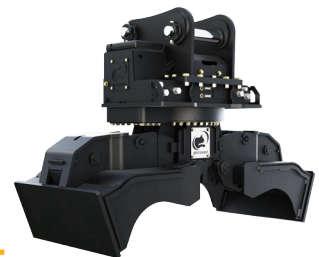
DEMOLITION

The Demolition version is by far the toughest member of the RPA family. Fabricated from thicker steel and featuring beefed up guarding, this grapple is built to take a beating.



COMPACTION

The Compaction RPA configuration can be used as a bucket. It is also used in waste transfer stations for compacting incoming trash.



NEW WARRANTY

18 MONTHS OR 3000 HOURS



TECHNICAL DATA	RAKE				BUCKET			PULPWOOD	
MODEL	RPA2030R	RPA3045R	RPA4570R	RPA6010R	RPA3045B	RPA4570B	RPA6010B	RPA4570P08	RPA4570P10
Height (in) (open/excluding rotation)	36	38	45	54	39	44	55	53	57
Weight (lb) (excluding rotation)	1,155	1,495	2,450	3,864	1,650	2,410	5,126	3,272	3,443
Area (ft ²)	3.6	4	6	8	N/A	N/A	N/A	8	10
Maximum opening (in)	67	70	85	96	71	85	96	91	100
Minimum closing (in)	4	5	5	7	4	5	5	8	9

TECHNICAL DATA	DEMO (3X2 TINE)				DEMO (4X3 TINE)		
MODEL	RPA2030D32	RPA3045D32	RPA4570D32	RPA6010D32	RPA3045D43	RPA4570D43	RPA6010D43
Height (in) (open/excluding rotation)	39	44	50	63	44	50	63
Weight (lb) (excluding rotation)	1,330	1,730	2,575	4,570	1,985	2,885	5,370
Area (ft ²) (tip to tip)	4.31	5.14	7.64	12	5.14	7.64	12
Maximum opening (in)	70	74	95	115	74	95	115
Minimum closing (in)	8	10	12	15	10	12	15

TECHNICAL DATA	RT-SERIES ROTATORS			RGP-SERIES ROTATIONS				
MODEL	RT-322	RT 502/504	RT 1002/1004	RGP 502/504	RGP 902/904	RGP1002/1004	RGP 1302/1304	RGP 1702/1704
Swing torque (in lb)	12,920	18,630	22,360	18,140	148,710	21,770	176,750	218,520
Axial lift capacity (lb)	32,000	50,000	100,000	50,000	90,000	100,000	130,000	170,000
Weight (lb)	310	445	685	460	1,200	735	1,595	2,125

ROTOBEC LOCATIONS

CANADA EAST/
INTERNATIONAL
Sainte Justine, QC
Tel: 418.383.3002

USA EAST, CENTRAL
Littleton, NH
Tel: 603.444.2103

USA SOUTH
Dallas, TX
Tel: 972.242.9516

USA/CANADA WEST
Kelowna, BC
Tel: 250.765.1161

ROTOBEC

TOUGH HANDLING EQUIPMENT