

# TAKEUCHI

Those in the know, know Takeuchi

## OPERATING PERFORMANCE

Operating Weight	Canopy	6,607 lbs (2,997 kg)
Maximum Digging Depth		10 ft 2 in (3,117 mm)
Maximum Dump Height		10 ft 5 in (3,190 mm)
Maximum Reach		16 ft 1 in (4,900 mm)
Maximum Bucket Breakout Force		6,471 lbs (2,935 kg)
Maximum Arm Digging Force		2,900 lbs (1,325 kg)
Arm Length		4 ft 9 in (1,445 mm)
Slew Speed		10 rpm
Traction Force		6,334 lbs (2,873 kg)

## ENGINE

Make / Model	Yanmar / 3TNV88F
Tier Rating	EPA Tier 4
Cylinders / Displacement	3 / 81 cu in (1.3 L)
Horsepower (ISO 14396)	24.4 hp (18.2 kW)
Rated Engine Speed	2,400 rpm
Maximum Torque	63 ft-lb (85.3 Nm) @ 1,440 rpm
Engine Lubrication	5.0 qt (4.7 L)
Cooling System	4.2 qt (4.0 L)
Fuel Tank Capacity	14.0 gal (53.0 L)
Fuel Consumption (65% of full load)	0.8 gal / hr (3.3 L / hr)
Electrical System	12 volts / 40 amps

## UNDERCARRIAGE

Traction Drive Type	Planetary Reduction w/ Automatic Shift
Parking Brake	Spring Applied, Hydraulically Released, Multiple Wet Friction Disc
Track Roller Type	Permanently Sealed, Triple Flanged Rollers
Track Rollers (per side)	3 per side
Track Width	11.8 in (300 mm)
Track Ground Contact Length	4 ft 8.7 in (1,440 mm)
Ground Pressure	4.1 psi (28.3 kPa)
Maximum Travel Speed	
Low Range	1.7 mph (2.8 km / hr)
High Range	3.0 mph (4.9 km / hr)

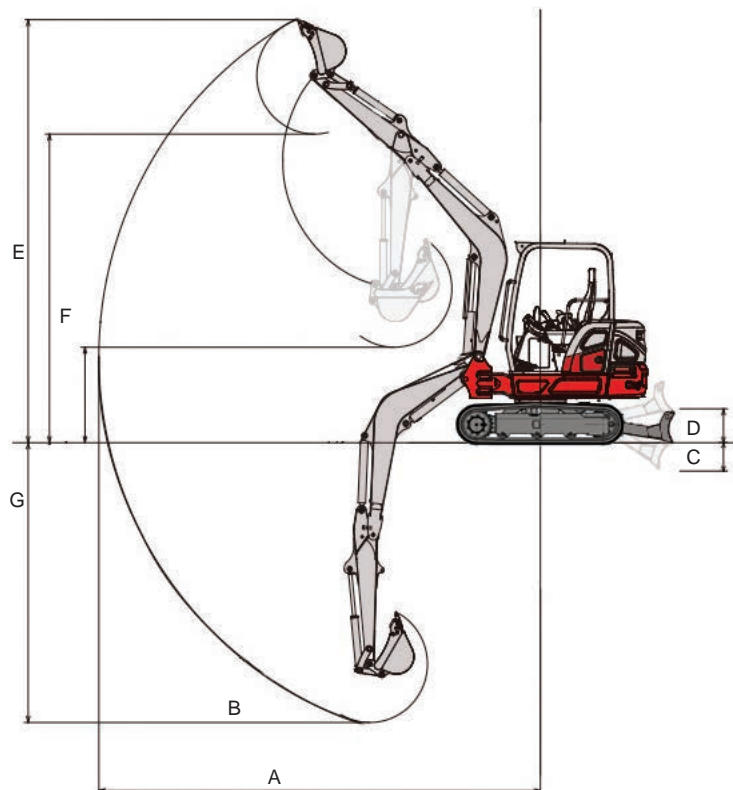
## HYDRAULIC

Pump Type	Two Piston Pumps with Two Gear Pumps
Total Hydraulic Flow	24.2 gal / min (91.6 L / min)
Auxiliary Hydraulic Flow	13.4 gal / min (50.6 L / min)
System Operating Pressure	3,046 psi (21.0 MPa)
Hydraulic Reservoir Capacity	7.1 gal (27.0 L)
Hydraulic System Capacity	13.5 gal (50.8 L)



## WORKING DIMENSIONS

A. Maximum Reach	16 ft 1 in (4,900 mm)
B. Maximum Reach Ground Level	15 ft 9 in (4,800 mm)
C. Blade Maximum Lower	11.1 in (280 mm)
D. Blade Maximum Lift	9.9 in (250 mm)
E. Maximum Dig Height	14 ft 7 in (4,450 mm)
F. Maximum Dump Height	10 ft 7.1 in (3,229 mm)
G. Maximum Dig Depth	9 ft 3.6 in (2,835 mm)



## Product Features

### ENGINE

- ◆ EPA Tier 4 Final Compliant
- ◆ Automatic Fuel Bleed System
- ◆ Extended Life Coolant
- ◆ Dual Element Air Cleaner
- ◆ Automatic Idle

### ELECTRICAL

- ◆ Coolant Temperature and Fuel Level Gauge
- ◆ Audible and/or Visual Indicators for Battery Voltage, Engine Oil Pressure, Engine Coolant Temperature, Air Filter Restriction Indicator, High Speed Travel, Engine Preheat, One-Touch Idle
- ◆ 12 volt System with 40 amp Alternator
- ◆ Work Lights: Boom, Side Cover
- ◆ Engine Preheat
- ◆ Hour Meter
- ◆ Travel Alarm

### UNDERCARRIAGE AND FRAME

- ◆ Triple Flanged Track Rollers
- ◆ Sloped Frame with Open Centers
- ◆ 2-Speed Travel with Automatic Shift
- ◆ Heavy Duty Dozer Blade with Float
- ◆ Cast Iron Wrap Around Protective Counterweight
- ◆ 11.8 in Rubber Tracks
- Power Angle Blade with Float

### HYDRAULIC

- ◆ Cushioned Boom and Swing Cylinders
- ◆ Precise and Responsive Pilot Controls
- ◆ Proportional Slide Switch Control for Auxiliary Circuit
- ◆ Auxiliary Hydraulic Circuit Plumbed to Arm
- ◆ Selectable One-Way and Two-Way Auxiliary Operation
- ◆ Auxiliary Detent (Primary Circuit)
- ◆ Pilot Accumulator
- ◆ Large Hydraulic Reservoir with Fluid Level Sight Gauge

### WORKING EQUIPMENT

- ◆ Main Boom Cylinder Guard
- ◆ Long Arm with Integrated Thumb Mount
- Dual Pin Position Bucket
- Mechanical Bucket Quick Coupler
- Main Pin Hydraulic Thumb

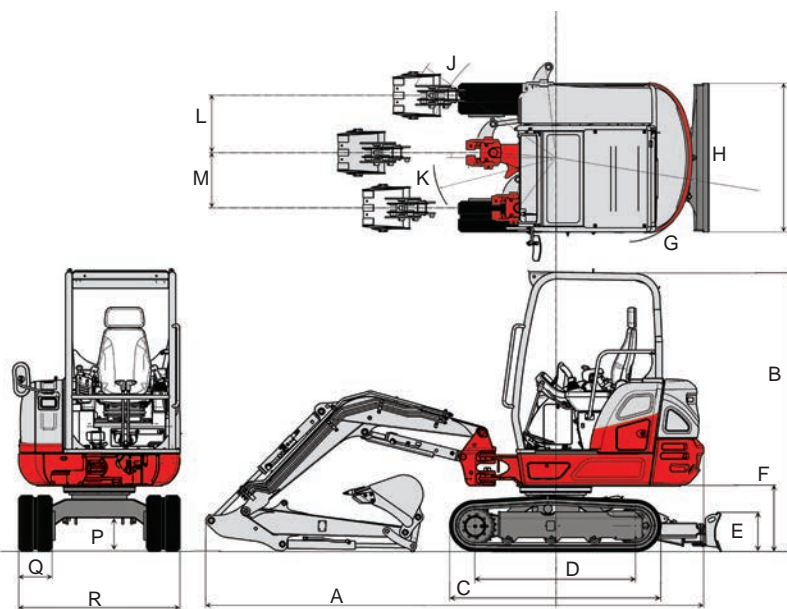
### OPERATOR'S STATION

- ◆ ROPS / TOPS / FOPS Four Post Canopy
- ◆ Six-Way Adjustable Suspension Seat
- ◆ Adjustable Arm Rests
- ◆ Quick Change Control Pattern (ISO or SAE)
- ◆ 2 in Retractable Seat Belt
- 3 in Seat Belt

◆ - Standard    ○ - Optional

### MACHINE DIMENSIONS

A. Transport Length	15 ft 3 in (4,460 mm)
B. Transport Height	8 ft 0 in (2,445 mm)
C. Undercarriage Length	6 ft 2.6 in (1,895 mm)
D. Track Ground Contact Length	4 ft 8.7 in (1,440 mm)
E. Dozer Blade Height	11.8 in (300 mm)
F. Counter Weight Ground Clearance	1 ft 10.2 in (565 mm)
G. Tail Swing (Slew) Radius	4 ft 3 in (1,285 mm)
H. Dozer Blade Width	4 ft 9 in (1,450 mm)
J. Minimum Front Radius (Offset)	5 ft 0.4 in (1,535 mm)
K. Minimum Front Radius (Straight)	6 ft 2.2 in (1,885 mm)
L. Offset Working Distance (Right)	1 ft 10.0 in (560 mm) @ 58°
M. Offset Working Distance (Left)	1 ft 9.2 in (540 mm) @ 78°
P. Ground Clearance	11.8 in (300 mm)
Q. Track Width	11.8 in (300 mm)
R. Undercarriage Width	4 ft 9 in (1,495 mm)



**TAKEUCHI**  
Those in the know, know Takeuchi