

# TAKEUCHI

Those in the know, know Takeuchi

## OPERATING PERFORMANCE

Operating Weight Standard Machine with Bucket

Canopy	11,618 lbs (5,270 kg)
Cab	11,850 lbs (5,375 kg)
Tipping Load	8,102 lbs (3,675 kg)
Rated Operating Capacity, SAE J818*	2,833 lbs (1,285 kg)
Operating Load at 50% of Tipping Load	4,051 lbs (1,838 kg)
Operating Capacity w/ Opt Counterweight	3,263 lbs (1,480 kg)
Bucket Breakout Force	8,670 lbs (3,932 kg)
Lift Arm Breakout Force	8,550 lbs (3,877 kg)
Traction Force	13,766 lbs (6,244 kg)
Capacity SAE Heaped (Optional Bucket)	24.0 cu ft (.068 m <sup>3</sup> )
Cycle Time:	
Raise Full Load	4.6 Seconds
Lower No Load	2.8 Seconds
Dump Full Load	3.1 Seconds
Curl No Load	2.3 Seconds

\*Operating capacity of compact track loaders is rated according to SAE J818 at no more than 35% of the tipping load

## ENGINE

Make / Model	Kubota / V3800CR-Turbo Intercooled
Cylinders / Displacement	4 / 230 cu in (3.8 L)
Horsepower Gross (SAE J1995)	110.0 hp (82.0 Kw)
Horsepower Net (ISO 14396)	108.4 hp (80.8 Kw)
Rated / Maximum Engine Speed	2,400 rpm / 2,600 rpm
Maximum Torque	277 ft-lb (375 Nm)
Engine Lubrication	13.9 qt (13.2 L)
Cooling System	17.4 qt (16.5 L)
Fuel Tank Capacity	23.8 gal (90.0 L)
Fuel Consumption, 65% of full load	3.70 gal / hr (14.0 L / hr)
Electrical System	12 volts / 80 amps

## UNDERCARRIAGE

Traction Drive Type	Hydrostatic w/ Double Reduction Planetary Final Drive
Parking Brake	Spring Applied, Hydraulically Released
Track Roller Type	Permanently Sealed Rollers
Track Rollers	6 per side
Track Width	17.7 in (450 mm)
Ground Pressure:	
Canopy	4.6 psi (32.0 kPa)
Cab	4.7 psi (32.6 kPa)
Maximum Travel Speed:	
Low	4.9 mph (7.9 km / hr)
High	7.4 mph (11.9 km / hr)

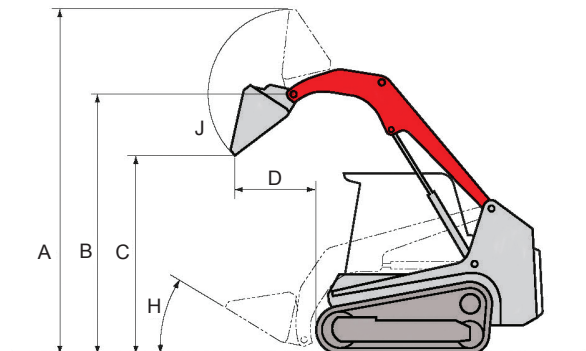
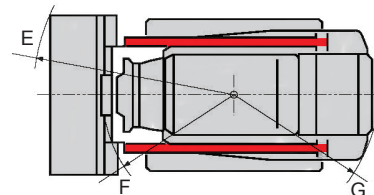
## HYDRAULIC

Hydraulic Reservoir Capacity	15.9 gal (60 L)
Hydraulic System Capacity	25.1 gal (95 L)
Auxiliary Flow - Primary Circuit	23 gal / min (88 L / min)
Auxiliary Flow - Optional High Flow	40 gal / min (153 L / min)
Auxiliary Flow - Optional 2nd Circuit	17 gal / min (64.5 L / min)
Hydraulic System Pressure	3,046 psi (21.0 MPa)



## WORKING DIMENSIONS

A. Overall Operating Height	13 ft 11.2 in (4,247 mm)
B. Maximum Lift Height to Bucket Pin	10 ft 6.1 in (3,203 mm)
C. Dump Height Fully Raised	7 ft 11.7 in (2,432 mm)
D. Dump Reach Fully Raised	3 ft 2.8 in (986 mm)
E. Clearance Circle with Bucket	7 ft 11.8 in (2,434 mm)
F. Clearance Circle w/o Bucket	5 ft 1.4 in (1,559 mm)
G. Clearance Circle, Rear	5 ft 9.1 in (1,788 mm)
H. Maximum Bucket Rollback at Ground	31.4°
J. Maximum Dump Angle Fully Raised	38.7°



## Product Features

### ENGINE

- ◆ EPA Interim Tier 4 Compliant
- ◆ Turbocharged and Intercooled
- ◆ Automatic Fuel Bleed System
- ◆ Extended Life Coolant
- ◆ Dual Element Air Filter with Pre-Cleaner

### ELECTRICAL

- ◆ Machine Monitoring System w/ Fuel and Coolant Temperature Gauge
- ◆ 12 volt System with 80 amp Alternator
- ◆ Halogen Work Lights, Front and Rear
- ◆ Engine Preheat
- ◆ Hour Meter
- ◆ Back-up Alarm

### UNDERCARRIAGE AND FRAME

- ◆ Permanently Sealed Track Rollers with Metal Face Seals
- ◆ Welded Track Frame with Multiple Cross Members
- ◆ 2-Speed Travel
- ◆ 17.7" Rubber Track with Integrated Steel Cables and Forged Steel Inserts
- ◆ Grease Type Track Adjuster

### HYDRAULIC

- ◆ Cushioned Boom Cylinders
- ◆ Boom Float with Detent
- ◆ Pilot Proportional Hydraulic Controls
- ◆ Pressure Relieving Flat Faced Coupler Body
- ◆ 14-Pin Connector with Push Button Control
- ◆ Hydraulic Self Leveling
- High Flow Auxiliary Hydraulics 40 gal / min
- Secondary Auxiliary Circuit
- Ride Control
- Control Pattern Change Valve

### WORKING EQUIPMENT

- ◆ Radial Boom Design
- ◆ Mechanical Quick Coupler
- Hydraulic Quick Coupler
- 80" HD Smooth Lip Dirt Bucket (24 cu ft)
- 80" HD Dirt Bucket with (9) Teeth (24 cu ft)
- 8' Six Way Dozer Blade
- HD 48" Pallet Forks and Frame
- Counterweight Kit (575 lbs)

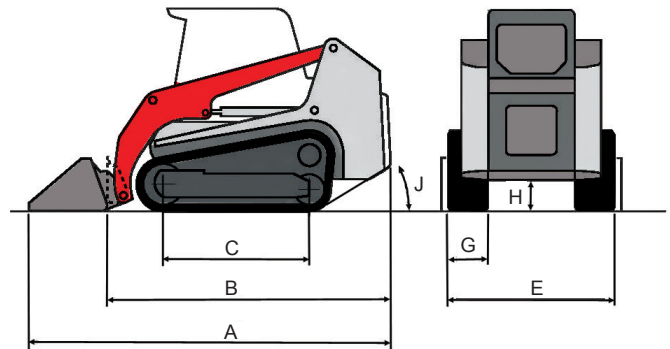
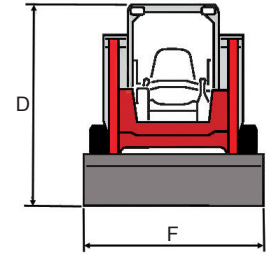
### OPERATOR'S STATION

- ◆ Tilt-up Operator Station
- ◆ Pilot Operated Controls
- ◆ Six-way Adjustable Suspension Seat
- ◆ Rear Pivoting Seat Bar w/ Integrated Arm Rests
- ◆ Retractable Seat Belt
- ◆ ROPS/FOPS Structure
- Pressurized Cab with Roll Up Door, Air Conditioning, Heat, Defrost and Wiper
- 3" Seat Belt
- 3 Point Seat Belt
- AM/FM/MP3 Radio w/ NOAA Weatherband

◆ - Standard    ○ - Optional

### MACHINE DIMENSIONS

A. Transport Length	13 ft 0.9 in (3,985 mm)
B. Machine Length	10 ft 3.4 in (3,135 mm)
C. Track Ground Contact Length	5 ft 2.8 in (1,595 mm)
D. Overall Height	7 ft 7.3 in (2,320 mm)
E. Overall Width w/out Bucket	6 ft 1.2 in (1,860 mm)
F. Recommended Bucket Width	80 in (2,032 mm)
G. Track Width	17.7 in (450 mm)
H. Ground Clearance	13.5 in (344 mm)
J. Angle of Departure	30°



**TAKEUCHI**  
Those in the know, know Takeuchi