

## OPERATING PERFORMANCE

Loader Type	Vertical
Operating Weight - Canopy	6,986 lbs (3,169 kg)
Tipping Load	4,000 lbs (1,814 kg)
Rated Operating Capacity, SAE J818*	2,000 lbs (907 kg)
Bucket Breakout Force	4,130 lbs (1,873 kg)
Lift Arm Breakout Force	3,675 lbs (1,667 kg)
Traction Force	8,453 lbs (3,834 kg)

\*Operating capacity of skid steer loaders is rated according to SAE J818 at no more than 50% of the tipping load.

## ENGINE

Make / Model	Perkins / 404D-22T, Turbocharged
Cylinders / Displacement	4 / 135 cu in (2.2 L)
Horsepower	60 hp (44.7 kW)
Rated Engine Speed	2,800 rpm
Maximum Torque	140 ft-lb (190 Nm)
Engine Lubrication	11.2 qts (10.6 L)
Cooling System	14 qts (13.2 L)
Fuel Tank Capacity	25 gal (95 L)
Electrical System	12 volts / 65 amps

## DRIVE TRAIN AND FRAME

Traction Drive Type	Hydrostatic
Chain Case	Bow Tie Drive System
Chain Size	80 ANSI Chain
Wheel Size	10 x 16.5
Width Over Tires	66.5 in (1,689 mm)
Maximum Travel Speed:	
Single Speed	8.2 mph (13.2 km / hr)
Optional Two-Speed	11.7 mph (18.8 km / hr)

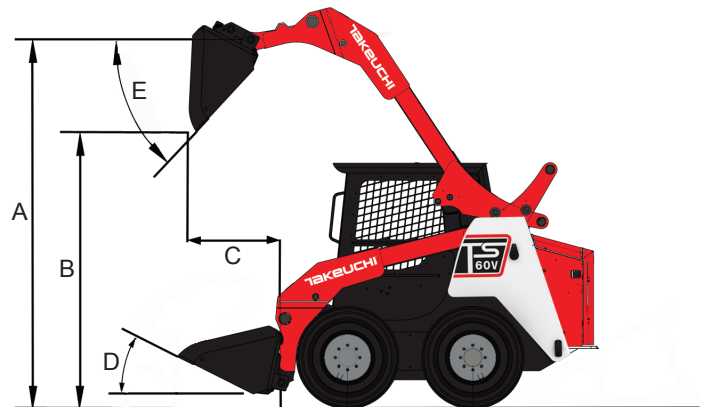
## HYDRAULIC

Hydraulic Reservoir Capacity	8.0 gal (30.2 L)
Auxiliary Flow - Primary Circuit	17.1 gal / min (65 L / min)
Hydraulic System Pressure	3,335 psi (22.9 MPa)



## WORKING DIMENSIONS

A. Maximum Lift Height to Bucket Pin	9 ft 8 in (2,997 mm)
B. Dump Height Fully Raised	7 ft 2.3 in (2,207 mm)
C. Dump Reach Fully Raised	2 ft 5 in (762 mm)
D. Maximum Bucket Rollback at Ground	26.7°
E. Maximum Dump Angle Fully Raised	48.3°



## Product Features

### ENGINE

- ◆ EPA Interim Tier 4 Compliant
- ◆ Turbocharged
- ◆ Engine Driven Fan
- ◆ Swing Out Cooler
- ◆ Dual Element Air Filter
- Engine Block Heater

### ELECTRICAL

- ◆ Machine Monitoring System w/ Tachometer, Fuel and Coolant Temperature Gauge
- ◆ 12 volt System with 65 amp Alternator
- ◆ Halogen Work Lights, Front and Rear
- ◆ Hour Meter
- ◆ Back-up Alarm

### DRIVE TRAIN AND FRAME

- ◆ Mechanical Faced Axle Seals
- ◆ Hydrostatic Drive System
- ◆ 80 ANSI Chain
- ◆ Offset Wheels are Reversible for Narrow or Wide Stance
- ◆ Heavy Duty Tires
- Over the Tire Tracks (OTT)
- Two-Speed Travel

### HYDRAULIC

- ◆ Boom Float with Detent
- ◆ Pilot Proportional Hydraulic Controls
- ◆ Pressure Relieving Flat Faced Coupler Body
- ◆ Auxiliary Hydraulics Pump Flow 17.1 gal / min (65 L / min)

### WORKING EQUIPMENT

- ◆ Vertical Boom Design
- ◆ Mechanical Quick Coupler
- Hydraulic Quick Coupler
- 63" Smooth Lip Bucket (15.4 cu ft) (Narrow Wheel Position)
- 67" Smooth Lip Bucket with Bolt-on Cutting Edge (16.2 cu ft)
- Attachment Control Kit w/ 8 Pin Connector
- Bolt on Tooth Bar
- 42" Pallet Forks

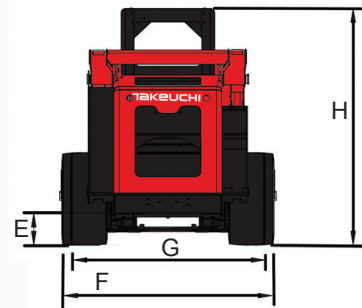
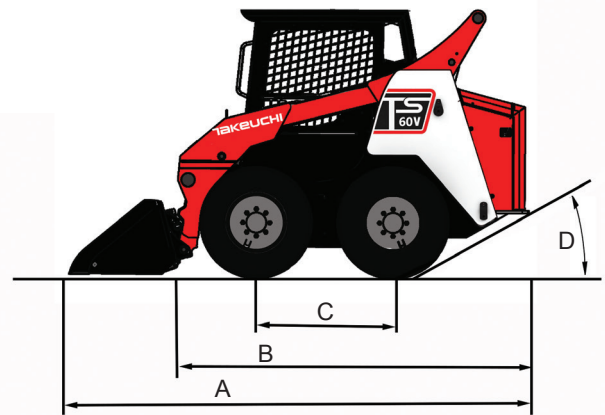
### OPERATOR'S STATION

- ◆ Tilt-up Operator Station
- ◆ Pilot Operated Joystick Controls
- ◆ Rear Pivoting Seat Bar w/ Integrated Arm Rests
- ◆ ROPS / FOPS Structure
- ◆ 12 volt Power Outlet
- Deluxe Suspension Seat
- Pressurized Cab w/ Heat
- Pressurized Cab w/ Heat and A/C
- 3/8" Polycarbonate Front Door with Wiper
- AM / FM / MP3 Radio w/ NOAA Weather band

◆ - Standard    ○ - Optional

### MACHINE DIMENSIONS

A. Transport Length	11 ft 4.4 in (3,465 mm)
B. Machine Length	8 ft 11.2 in (2,723 mm)
C. Wheel Base	3 ft 4.6 in (1,031 mm)
D. Angle of Departure	28°
E. Ground Clearance	10.5 in (267 mm)
F. Overall Width - Wide Position	5 ft 6.5 in (1,689 mm)
G. Overall Width - Wheel Reversed	5 ft 0 in (1,524 mm)
H. Overall Height	6 ft 5 in (1,956 mm)



**TAKEUCHI**  
Those in the know, know Takeuchi