

# TAKEUCHI

Those in the know, know Takeuchi

## OPERATING PERFORMANCE

Operating Weight	7,275 lbs (3,300 kg)
Tipping Load, Straight	3,858 lbs (1,750 kg)
Tipping Load, Full Turn	3,417 lbs (1,550 kg)
Rated Operating Capacity, SAE J818*	1,708 lbs (775 kg)
Bucket Breakout Force	4,878 lbs (2,213 kg)
Lift Arm Breakout Force	4,181 lbs (1,896 kg)
Traction Force	5,620 lbs (2,549 kg)
Cycle Time	
Raise Full Load	4.0 Seconds
Lower No Load	3.5 Seconds
Dump Full Load	1.0 Seconds

\*Operating capacity is 50% of full turn tipping load with bucket according to SAE J818

## ENGINE

Make / Model	Perkins / 403D-15T
Tier Rating	Interim Tier 4
Cylinders / Displacement	3 / 91 cu in (1.49 L)
Horsepower	39.4 hp (29.4 kW)
Rated Engine Speed	2,800 rpm
Maximum Torque	82.6 ft-lb @ 1,800 rpm (112 Nm)
Engine Lubrication	1.45 gal (5.5 L)
Cooling System	2.1 gal (8.0 L)
Fuel Tank Capacity	18.5 gal (70.0 L)
Electrical System	12 volts / 65 amps

## UNDERCARRIAGE

Transmission Type	Hydrostatic Drive with 100% Hydraulic Inching Pedal
Axle Type	Rigid Axles with Outboard Planetary Reduction
Traction Aid	45% Differential Lock in Front
Parking Brake	Lever Operated Drum Brake
Service Brakes	Hydrostatic with Hydraulic Drum Brake
Steering Articulation	40° Left / 40° Right
Frame Articulation	12° Left / 12° Right

## Maximum Travel Speed

Low	4.0 mph (6.5 km / hr)
High	12.4 mph (20 km / hr)

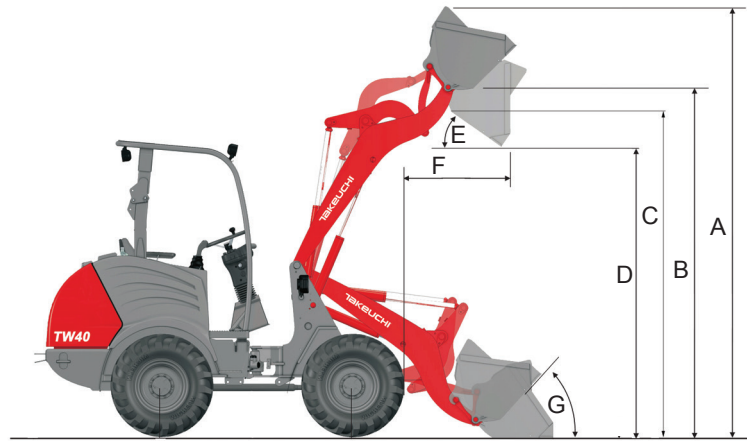
## HYDRAULIC

Hydraulic Reservoir Capacity	7.4 gal (28.0 L)
Auxiliary Hydraulic Flow	10.3 gal / min (39.0 L / min)
System Operating Pressure	3,988 psi (27.5 MPa)



## WORKING DIMENSIONS

A. Overall Operating Height	11 ft 11.6 in (3,648 mm)
B. Maximum Lift Height to Bucket Pin	9 ft 6.5 in (2,907 mm)
C. Bucket Clearance Height	9 ft 0 in (2,745 mm)
D. Dump Height Fully Raised	7 ft 0.6 in (2,150 mm)
E. Maximum Dump Angle Fully Raised	34°
F. Reach Fully Raised	2 ft 8.2 in (817 mm)
G. Maximum Bucket Rollback at Ground	51°



## Product Features

### ENGINE

- ◆ EPA Interim Tier 4 Compliant
- ◆ Turbocharged
- ◆ Water Cooled
- ◆ Extended Life Coolant
- ◆ Dual Element Air Filter with Restriction Indicator
- ◆ Heavy Duty Radiator, Oil and Hydraulic Oil Coolers

### ELECTRICAL

- ◆ Electronic Engine Monitoring System Includes High Beam Indicator, Turn Signal Indicators, High Speed Indicator, Directional Lights Fwd / Rev
- ◆ 12 volt System with 65 amp Alternator
- ◆ Work Lights, Front and Rear
- ◆ Engine Preheat
- ◆ Back-up Alarm

### DRIVETRAIN

- ◆ Hydrostatic Drive with 100% Inching Pedal
- ◆ 45% Limited Slip Differential, Front
- ◆ Outboard Planetary Drives
- ◆ Two-Speed Travel
- ◆ Cable Operated Parking Brake
- ◆ Hydraulic Drum Service Brake
- ◆ Heavy Duty 31 x 15.5 - 15 Construction Tire Assembly

### HYDRAULIC

- ◆ Priority Steering
- ◆ Auxiliary Hydraulic Lines Plumbed to the End of the Loader Arms
- ◆ Auxiliary Hydraulic Detent
- ◆ Hydraulic System Test Ports
- ◆ Hydraulic Oil Level Sight Gauge
- ◆ Loader Arm Float

### WORKING EQUIPMENT

- ◆ Heavy Duty Hydraulic SSL Style Quick Attach Coupler
- ◆ Z-Bar Linkage
- ◆ Bucket Float Function
- ◆ Heavy Duty Self Aligning Loader Bushings with Oversize Pins
- 60" High Capacity Bucket with SSL Hitch (0.66 yd<sup>3</sup>)
- Bolt-on tooth bar for 60" bucket
- Bolt-on reversible cutting edge for 60" bucket
- Flat Face Hydraulic Connector Kit

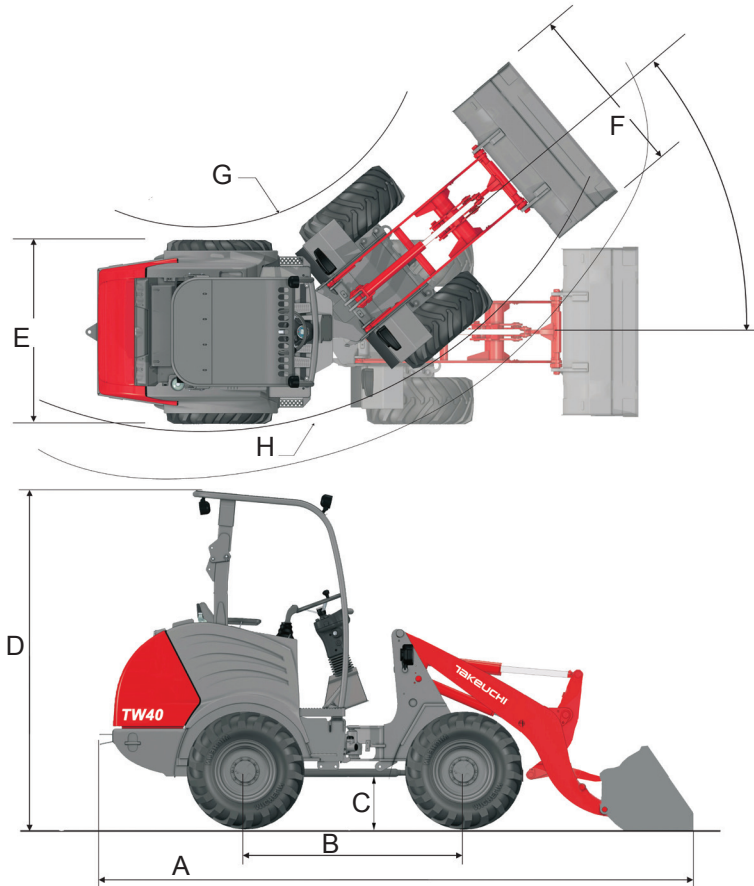
◆ - Standard    ○ - Optional

### OPERATOR'S STATION

- ◆ Fold Down ROPS / FOPS Guard
- ◆ Deluxe Lighting Package for Work, Driving and Signal Lights
- ◆ Large Steps and Grab Handles
- ◆ Elevated Operator's Station
- ◆ Multi-Function Joystick for Machine Direction Fwd / Rev and Loader Controls: Raise, Lower, Curl, Dump
- Enclosed Cab with Heat and Front and Rear Wiper

### MACHINE DIMENSIONS

A. Overall Length with Bucket	15 ft 5.0 in (4,700 mm)
B. Wheelbase	5 ft 7.5 in (1,715 mm)
C. Ground Clearance	1 ft 1.6 in (345 mm)
D. Overall Height	7 ft 10.5 in (2,408 mm)
E. Overall Width without Bucket	5 ft 0.0 in (1,530 mm)
F. Recommend Bucket Width	60 in (1,524 mm)
G. Inside Turning Radius	5 ft 2.8 in (1,596 mm)
H. Outside Turning Radius	10 ft 4.5 in (3,162 mm)



**TAKEUCHI**  
Those in the know, know Takeuchi