

LOG GRAPPLES

Engineered with pride, built to last.

All dimensions are in inches. **SPECIFICATIONS** Letters A to G refer to drawing below.

TYPES	Pull-through delimiting New Generation Heavy-Duty					Shovel - logging New Generation Super Heavy-Duty					Sorting & loading Medium-Duty				Unloading *			
	4042HD	4048HD	4552HD	4552SHD	4560SHD	4535	4642/4542	4547	5052	7552	8566	6164	6066	8074	9082			
Capacity in 8' wood	0.17	0.19	0.23	0.26	0.32	0.11	0.17	0.19	0.23	0.28	0.40	0.32	0.43	0.54	0.66			
Area in square feet (when tip to tip)	2.7	3.1	3.7	4.2	5.1	1.7	2.7	3.1	3.7	4.4	6.4	5.2	6.9	8.6	10.5			
A	4.1	4.0	4.5	4.5	4.7	4.4	4.6	4.7	5.9	7.7	8.6	6.1	5.7	8.1	9.0			
B	41.9	48.0	52.7	53.0	60.1	35.1	41.9	47.5	52.6	52.6	66.1	64.6	66.2	73.7	81.6			
C	52.7	57.9	63.4	67.5	74.0	43.5	52.2	56.5	62.6	62.6	76.5	74.4	82.7	91.5	101.2			
D with RT252	57.7	61.0	63.2			48.1		56.4	58.4	58.4		53.2	60.5					
with RT502								59.7	61.7	61.7	72.6	56.6	64.0	66.7	70.2			
with RT504	59.7	63.0	65.2	69.6	71.2													
with RT1004				72.5	74.1						75.5				71.5			
with 3250						44.9	49.5											
with 9150						50.4	54.9	58.6	60.8	60.7		55.6						
with 24000 / 26000							55.9	58.7	60.8	60.6	71.5	55.6	62.6	65.5	69.0			
E	7.5	8.7	9.7	9.5	11.4	6.2	7.4	8.4	9.6	9.6	9.6	15.5	11.0	12.5	14.4			
F	16.5	17.0	17.5	19.5	19.5	14.5	14.7	15.5	15.5	15.5	17.9	15.5	15.5	15.5	15.5			
G	19.5	19.5	20.5	22.5	22.5	16.5	16.5	18.2	18.0	18.2	18.5	18.0	17.4	17.4	17.4			
Weight (lb)																		
with RT252	1170	1275	1520			780	885	1125	1190	1140		1235	1370					
with RT502								1255	1320	1270	1850	1365	1500	1665	1815			
with RT504	1345	1450	1695	2365	2475													
with RT1004				2605	2715						2135				2200			
with 3250						650	755											
with 9150						730	835	1075	1140	1090		1185						
with 24000							990	1230	1295	1245	1825	1340	1475	1640	1790			
with 26000											1925		1575	1740	1890			

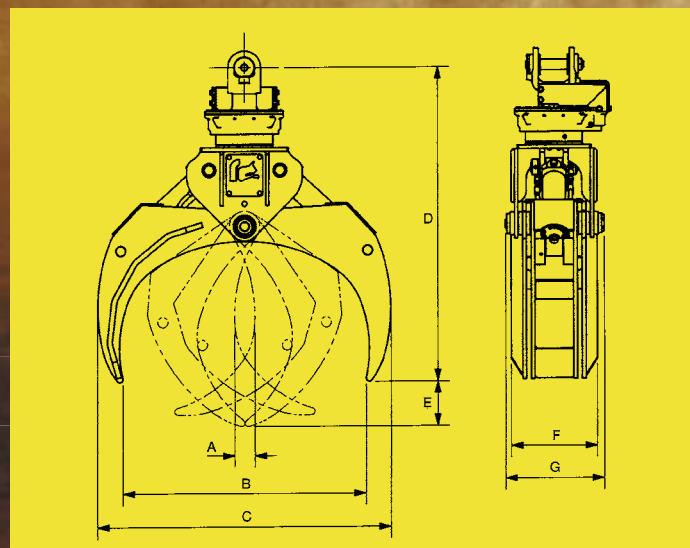
* Expect longer deliveries.

We reserve the right to change specifications and improve our products without notice or obligation.

Distributed by



www.rotobec.com



Printed in Canada - VO3.0504

LOG GRAPPLES

Engineered with pride, built to last.



ROTOBEC INC.
HEAD OFFICE
Tel: 418.383.3002
Fax: 418.383.5334
rotobec@rotobec.com

ROTOBEC WEST
WESTERN CANADA & WESTERN USA
Tel: 250.548.0041
Fax: 250.548.0043
mark_shukla@telus.net

ROTOBEC USA INC.
EASTERN & CENTRAL
• SALES NORTHEAST Tel: 518.891.1063
• SALES SOUTHEAST Tel: 434.447.4975
• SALES MIDSOUTH Tel: 936.637.0628

• PARTS & SERVICE
Tel: 603.444.2103
Fax: 603.444.0327
sales@rotobecusa.com



INNOVATING



SINCE 1975

TOUGH, RELIABLE AND DURABLE LOG GRAPPLES. HERE IS WHY.

APPLICATION

The New Generation heavy-duty log grapple models are designed for severe service such as pull-through delimiting, swamp-logging and shovel-logging, or use in harsh environments involving water or dust.

The log grapples come in many sizes and shapes adapted to various log and tree-length handling situations, such as sorting, loading, unloading, etc. They are often used with a dead heel or live heel for efficient tree-length handling. They are designed to be installed on knuckleboom loaders and rubber-tire or track excavators converted for logging.

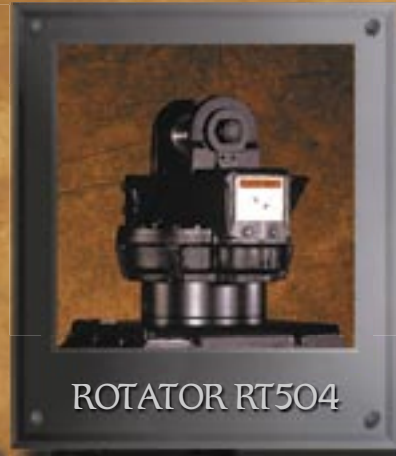
PINS

- New Generation heavy-duty models feature oversized pins mounted on sealed bronze bushings for extended greasing intervals even in harsh environment.
- Pins contribute to structural integrity without adding weight.
- Pins are chromed and heat treated.

CYLINDERS

- On New Generation heavy-duty models, hydraulic cylinders are rated at 5000 psi with double cushioning and integrated lock valve.
- Bolt-on heads for cost effective maintenance.
- High-pressure piston seals (10 000 psi).
- Rod leak-proof twin inner cylinder head seals.
- Cylinders designed to match machine operating pressure.

LOG GRAPPLES



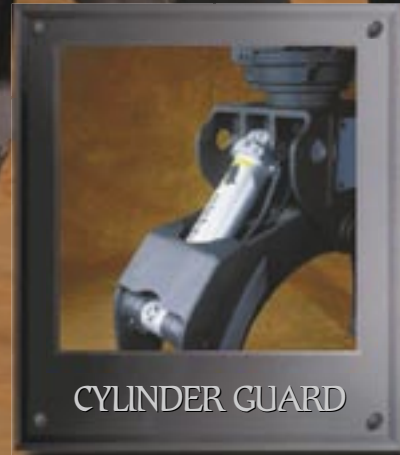
ROTATOR RT504



ROTATOR RT252



CYLINDER



CYLINDER GUARD



WEAR RESISTANT TIP



HEAD-CLOSING KIT

ROTATORS

- On New Generation heavy-duty models, rotator is fully sealed with high side-loading capabilities, some models available with extra ports for saw or other accessories.
- Full 360° continuous rotation rotators.
- Many models to match machine capacity and operation requirements for maximum life and productive time.

ROTATOR MODEL	SWING TORQUE (in. lb)	AXIAL LIFT CAPACITY (lb)	WEIGHT (lb)	TYPE (see legend)
3250	5400	10000	140	1
9150	6500	18000	220	2
RT252	21900	25000	270	3
24000	10600	50000	375	4
26000	21200	50000	475	4
RT502	25300	50000	400	3
RT504	25300	50000	445	3
RT1004	30300	100000	685	3

Type 1: Light-duty, direct drive, sealed, low side-loading capability.
 Type 2: Medium-duty, indirect drive, sealed, medium side-loading capability
 Type 3: Heavy-duty, indirect drive, sealed internal gearing, high side-loading capability, single motor, 2 extra ports on RT504 and RT1004 for saw or other accessories.
 Type 4: Heavy-duty, indirect drive, open gears, limited water and dust application, high side-loading capability, single or double drive motor.

STRUCTURE

- New Generation heavy-duty models ready for saw-kit mounting, with imbricated head structure for maximum rigidity, hardened wear-resistant tips, integral cylinder protection and head-closing kit.
- 165 000 lb tensile strength steel (65% stronger than T1 steel).
- Three times the strength of typical cold rolled steel.
- Higher wear resistance.
- Best resistance/weight ratio.
- Precision machining assures long rotator life.
- Fit and part interchangeability enhanced by line boring after welding.

